



HIGH QUALITY INJECTION-MOLDED PRODUCTS



Made in USA

ORIGINAL FACTORY PARTS

WE ARE MADE IN THE USA!

*Providing quality products from quality people
right here in Mishawaka, Indiana.*



TABLE OF CONTENTS

PLUMBING	4
ELECTRICAL	34
SEWER	40
FUEL	41
MULTI-PURPOSE	42
HARDWARE	51
CABLE	52
VENTS	54
GUTTER SPOUTS	60
BUMPER PLUGS	62
GRAB HANDLES	62
TOW PLUGS	63
SLIDE-OUT CAPS	66
TRANSITION COVER	71
MISCELLANEOUS	77



WHY B&B MOLDERS?

B&B Molders prides itself on supplying high quality products and unparalleled service in everything we do!

Our ISO 9001 certification provides the foundation for our quality management system of which customers can trust that their products and processes will be managed with excellence.

From material lot traceability to our final inspection, we are committed to ensuring compliance with stringent standards.



PLUMBING



CITY/GRAVITY							
Aftermarket #	O.E.M. #	Description	Color	Lock Style	Check Valve	Cutout Dim	Outside Dim
94254	301-037-00062 (391 Key) 301-037-00038 (751 Key)	City/Gravity Center	Polar White	Key	Plastic	4-3/4" x 5-7/8"	6-7/8" x 7-5/8"

REPLACEMENT PARTS

94182		Door	Polar White
94245		Cap, Strap & Spout	Polar White
94210		Check Valve	Polar White
94243		Gravity Water Cap	Polar White

- Factory tested for leakage
- 391 keyed lock is "key alike ready" and can be matched to your entry or compartment doors
- Guaranteed not to yellow, UV-stable/colorfast
- Plastic Check Valve w/ 1/2" Male Pipe Thread
- Spout accepts either 1-1/4 or 1-3/8 water fill hose
- Includes 3/8" Tank Vent Connection
- Includes an installation kit
- Impact & road salt-resistant
- Collar Depth: 1-1/2"
- Total Depth: 3-1/4"



CITY/GRAVITY							
Aftermarket #	O.E.M. #	Description	Color	Lock Style	Check Valve	Cutout Dim	Outside Dim
94253	301-037-00063 (391 Key) 301-037-00034 (751 Key)	City/Gravity Center	Polar White	Key	Brass	4-3/4" x 5-7/8"	6-7/8" x 7-5/8"
94255	301-037-00074 (391 Key) 301-037-00039 (751 Key)	City/Gravity Center	Black	Key	Brass	4-3/4" x 5-7/8"	6-7/8" x 7-5/8"

REPLACEMENT PARTS

94182		Door	Polar White
94183		Door	Black
94206		City Water Cap	Polar White
94207		City Water Cap	Black
94243		Gravity Water Cap	Polar White
94244		Gravity Water Cap	Black

- 391 keyed lock is "key alike ready" and can be matched to your entry or compartment doors
- Guaranteed not to yellow or fade, UV-stable/colorfast
- Plastic Check Valve w/ 1/2" Male Pipe Thread
- Spout accepts either 1-1/4 or 1-3/8 water fill hose
- Includes 3/8" Tank Vent Connection
- Includes an installation kit
- Impact & road salt-resistant
- Collar Depth: 1-1/2"
- Total Depth: 3-1/4"





CITY/GRAVITY						
Aftermarket #	O.E.M. #	Description	Color	Check Valve	Cutout Dim	Outside Dim
94222	301-005-00046	City/Gravity Center	Polar White	Plastic	4-3/4" x 5-7/8"	6-7/8" x 7-5/8"
94223	301-005-00048	City/Gravity Center	Black	Plastic	4-3/4" x 5-7/8"	6-7/8" x 7-5/8"

REPLACEMENT PARTS			
94210		Check Valve	Polar White
94211		Check Valve	Black
94243		Strap & Spout	Polar White
94244		Strap & Spout	Black

- Factory tested for leakage
- Guaranteed not to yellow or fade, UV-stable/colorfast
- Plastic Check Valve w/ 1/2" Male Pipe Thread
- Spout accepts either 1-1/4 or 1-3/8 water fill hose
- Includes 3/8" Tank Vent Connection
- Includes an installation kit
- Impact & road salt-resistant
- Total Depth: 2-1/2"



CITY/GRAVITY						
Aftermarket #	O.E.M. #	Description	Color	Check Valve	Cutout Dim	Outside Dim
94224	301-005-00049	City/Gravity Center	Polar White	Brass	3-3/4" x 6"	5-5/16" x 7-9/16"

REPLACEMENT PARTS			
94206		City Water Cap	Polar White
94243		Gravity Water Cap	Polar White

- Made in the USA
- Guaranteed not to yellow, UV-stable/colorfast
- Brass Check Valve w/ 1/2" Male Pipe Thread
- Spout accepts either 1-1/4 or 1-3/8 water fill hose
- Includes 3/8" Tank Vent Connection
- Includes an installation kit
- Impact & road salt-resistant
- Total Depth: 2-1/2"

PLUMBING



CITY WATER HATCH							
Aftermarket #	O.E.M. #	Description	Color	Lock Style	Check Valve	Cutout Dim	Outside Dim
94226	301-037-00070 (391 Key) 301-037-00010 (751 Key)	City Water Hatch	Polar White	Key	Plastic	4-3/4" x 4-1/4"	6-1/2" x 6"
REPLACEMENT PARTS							
94178		Door	Polar White				
94210		Check Valve	Polar White				

- Factory tested for leakage
- Made in the USA
- Guaranteed not to yellow, UV-stable/colorfast
- 391 keyed lock is "key alike ready" and can be matched to your entry or compartment doors
- Plastic Check Valve w/ 1/2" Male Pipe Thread
- Includes an installation kit
- Impact & road salt-resistant
- Collar Depth: 1-1/2", Total Depth: 3"
- Paintable



CITY WATER HATCH							
Aftermarket #	O.E.M. #	Description	Color	Lock Style	Check Valve	Cutout Dim	Outside Dim
94225	301-037-00069 (391 Key) 301-037-00009 (751 Key)	City Water Hatch	Polar White	Key	Brass	4-3/4" x 4-1/4"	6-1/2" x 6"
REPLACEMENT PARTS							
94178		Door	Polar White				
94206		City Water Cap	Polar White				

- Made in the USA
- Guaranteed not to yellow, UV-stable/colorfast
- 391 keyed lock is "key alike ready" and can be matched to your entry or compartment doors
- Brass Check Valve w/ 1/2" Male Pipe Thread
- Includes an installation kit
- Impact & road salt-resistant
- Collar Depth: 1-1/2", Total Depth: 3"
- Paintable





CITY WATER DISH W/ BRASS CHECK VALVE

Aftermarket #	O.E.M. #	Description	Color	Check Valve	Cutout Dim	Outside Dim
94218	301-005-00031	City Water Dish	Polar White	Brass	3-1/2" dia.	4-1/2" dia.
94219	301-005-00035	City Water Dish	Black	Brass	3-1/2" dia.	4-1/2" dia.

REPLACEMENT PARTS

94206		Cap	Polar White
94207		Cap	Black

- Made in the USA
- Guaranteed not to yellow or fade, UV-stable/colorfast
- Lead Free Brass Check Valve w/ 1/2" Male Pipe Thread
- Includes an installation kit
- Impact & road salt-resistant
- Valve Depth: 2-1/2"



CITY WATER DISH W/ PLASTIC CHECK VALVE

Aftermarket #	O.E.M. #	Description	Color	Check Valve	Cutout Dim	Outside Dim
94220	301-005-00033	City Water Dish	Polar White	Plastic	3-1/2" dia.	4-1/2" dia.
94221	301-005-00036	City Water Dish	Black	Plastic	3-1/2" dia.	4-1/2" dia.

REPLACEMENT PARTS

94210		Check Valve	Polar White
94211		Check Valve	Black

- Factory tested for leakage
- Made in the USA
- Guaranteed not to yellow or fade, UV-stable/colorfast
- Plastic Check Valve w/ 1/2" Male Pipe Thread
- Includes an installation kit
- Dish Depth: 3/4", Valve Depth: 3"



CITY WATER FILL W/ PLASTIC CHECK VALVE

Aftermarket #	O.E.M. #	Description	Color	Check Valve	Cutout Dim	Outside Dim
94216	301-005-00007	City Water Fill	Polar White	Plastic	1-1/2" dia.	3" dia.
94217	301-005-00013	City Water Fill	Black	Plastic	1-1/2" dia.	3" dia.

REPLACEMENT PARTS

94210		Check Valve	Polar White
94211		Check Valve	Black

- Factory tested for leakage
- Made in the USA
- Guaranteed not to yellow or fade, UV-stable/colorfast
- Plastic Check Valve w/ 1/2" Male Pipe Thread
- Includes an installation kit
- Impact & road salt-resistant
- Valve Depth: 1-11/16"



CITY WATER FILL W/ BRASS CHECK VALVE

Aftermarket #	O.E.M. #	Description	Color	Check Valve	Cutout Dim	Outside Dim
94214	301-005-00005	City Water Fill	Polar White	Brass	1-1/2" dia.	3" dia.
94215	301-005-00022	City Water Fill	Black	Brass	1-1/2" dia.	3" dia.

REPLACEMENT PARTS

94206		Cap	Polar White
94207		Cap	Black

- Made in the USA
- Guaranteed not to yellow or fade, UV-stable/colorfast
- Brass Check Valve w/ 1/2" Male Pipe Thread
- Includes an installation kit
- Impact & road salt-resistant
- Valve Depth: 1-11/16"



REPLACEMENT PLASTIC CHECK VALVE

Aftermarket #	Description	Color	Check Valve
94210	Plastic Check Valve	Polar White	Plastic
94211	Plastic Check Valve	Black	Plastic

- Factory tested for leakage
- Made in the USA
- Guaranteed not to yellow or fade, UV-stable/colorfast
- Comes with clip
- 1/2" Male Pipe Thread



EZ-GRIP COUPLER COVER

Aftermarket #	Description	Color
94209	EZ-Grip Coupler Cover	Polar White



REPLACEMENT SCREEN WASHER

Aftermarket #	Description	Color
94377	Replacement Screen Washer	



DUST PLUG FOR CITY WATER CHECK VALVE

Aftermarket #	Description	Color
94206	Dust Plug for City Water Check Valve	Polar White
94207	Dust Plug for City Water Check Valve	Black



TEST PLUG

Aftermarket #	O.E.M. #	Description	Color
94192	301-028-00001	Test Plug	Blue

PLUMBING



GRAVITY WATER HATCH W/ BARBED SPOUT						
Aftermarket #	O.E.M. #	Description	Color	Lock Style	Cutout Dim	Outside Dim
94251	301-037-00059 (391 Key) 301-037-00025 (751 Key)	Gravity Water Hatch	Polar White	Key	4-3/4" x 4-1/4"	6-1/2" x 6"
94252	301-037-00055 (391 Key) 301-037-00027 (751 Key)	Gravity Water Hatch	Black	Key	4-3/4" x 4-1/4"	6-1/2" x 6"
94516	301-037-00029 (751 Key)	Gravity Water Hatch	Gray	Key	4-3/4" x 4-1/4"	6-1/2" x 6"
REPLACEMENT PARTS				<ul style="list-style-type: none"> • Made in the USA • 391 keyed lock is "key alike ready" and can be matched to your entry or compartment doors • Guaranteed not to yellow or fade, UV-stable/colorfast • Spout accepts either 1-1/4" or 1-3/8" water fill hose • Includes 3/8" Tank Vent Connection • Includes an installation kit • Impact & road salt-resistant • Collar Depth: 1-1/2" • Total Depth: 3" • Paintable 		
94243		Water Cap/Strap	Polar White			
94244		Water Cap/Strap	Black			
94518		Water Cap/Strap	Gray			
94245		Water Spout/Cap/Strap	Polar White			
94246		Water Spout/Cap/Strap	Black			
94180		Door	Polar White			
94181		Door	Black			



GRAVITY WATER HATCH W/ SMOOTH SPOUT						
Aftermarket #	O.E.M. #	Description	Color	Lock Style	Cutout Dim	Outside Dim
94515	301-037-00030	Gravity Water Hatch	Gray	Key	4-3/4" x 4-1/4"	6-1/2" x 6"
94517	301-037-00016	Gravity Water Hatch	Black	Key	4-3/4" x 4-1/4"	6-1/2" x 6"
REPLACEMENT PARTS				<ul style="list-style-type: none"> • Includes an installation kit • Impact & road salt-resistant • Collar Depth: 1-1/2" • Total Depth: 3" • Paintable 		
94518		Water Cap/Strap	Gray			
94244		Water Cap/Strap	Black			

- Made in the USA
- 391 keyed lock is "key alike ready" and can be matched to your entry or compartment doors
- Guaranteed not to yellow or fade, UV-stable/colorfast
- Spout accepts either 1-1/4" or 1-3/8" water fill hose
- Includes 3/8" Tank Vent Connection





GRAVITY WATER HATCH

Aftermarket #	O.E.M. #	Description	Color	Lock Style	Cutout Dim	Outside Dim
94249	301-037-00067 (391 Key) 301-037-00005 (751 Key)	Gravity Water Hatch	Polar White	Key	4-3/8" x 3-1/8"	6-1/4" x 5"
94250	301-037-00068 (391 Key) 301-037-00006 (751 Key)	Gravity Water Hatch	Black	Key	4-3/8" x 3-1/8"	6-1/4" x 5"

REPLACEMENT PARTS

94243		Water Cap/Strap	Polar White
94244		Water Cap/Strap	Black
94245		Water Spout/Cap/Strap	Polar White
94246		Water Spout/Cap/Strap	Black
94176		Door	Polar White
94177		Door	Black

- Made in the USA
- 391 keyed lock is "key alike ready" and can be matched to your entry or compartment doors
- Guaranteed not to yellow or fade, UV-stable/colorfast
- Spout accepts either 1-1/4" or 1-3/8" water fill hose
- Includes 3/8" Tank Vent Connection
- Includes an installation kit
- Impact & road salt-resistant
- Collar Depth: 1", Total Depth: 2-3/4"



GRAVITY WATER DISH

Aftermarket #	O.E.M. #	Description	Color	Check Valve	Cutout Dim	Outside Dim
94247	301-005-00024	Gravity Water Dish	Polar White	Plastic	3-1/2" dia.	4-1/2" dia.
94248	301-005-00027	Gravity Water Dish	Black	Plastic		

REPLACEMENT PARTS

94243		Cap & Strap	Polar White
94244		Cap & Strap	Black
94245		Cap, Strap & Spout	Polar White
94246		Cap, Strap & Spout	Black

- Made in the USA
- Guaranteed not to yellow or fade, UV-stable/colorfast
- Spout accepts either 1-1/4" or 1-3/8" water fill hose
- Includes 3/8" Tank Vent Connection
- Includes an installation kit
- Impact & road salt-resistant
- Spout Depth: 2-1/2"



GRAVITY CAP, STRAP & SPOUT

Aftermarket #	Description	Color
94245	Cap, Strap & Spout	Polar White
94246	Cap, Strap & Spout	Black

- Made in the USA
- Guaranteed not to yellow or fade, UV-stable/colorfast
- Spout accepts either 1-1/4" or 1-3/8" water fill hose
- Impact & road salt-resistant



GRAVITY CAP, STRAP

Aftermarket #	Description	Color
94243	Cap & Strap	Polar White
94244	Cap & Strap	Black
94518	Cap & Strap	Gray

- Guaranteed not to yellow or fade, UV-stable/colorfast
- Replacement Cap for gravity water spout
- Impact & road salt-resistant



UNIVERSAL GRAVITY WATER FILL CAP

Aftermarket #	O.E.M. #	Description	Color
94242	201-003-00013	Universal Gravity Water Fill Cap	White

- Guaranteed not to yellow, UV-stable/colorfast
- Universal
- Fits threaded or bayonet style gravity water fill with an inside diameter of 1-1/4"
- Constructed of flexible rubber
- Impact & road salt-resistant

PLUMBING SHOWER



EXTERIOR SHOWER						
Aftermarket #	O.E.M. #	Description	Color	Lock Style	Cutout Dim	Outside Dim
94195	301-011-00042 (391 Key) 301-011-00008 (751 Key)	Exterior Shower	Polar White	Key	6" x 11-1/16"	8-7/8" x 13-7/8"
94196	301-011-00041 (391 Key) 301-011-00001 (751 Key)	Exterior Shower	Black	Key	6" x 11-1/16"	8-7/8" x 13-7/8"
REPLACEMENT PARTS						
94197		Shower Head	Polar White			
94198		Shower Head	Black			
94199		Shower Hose	Polar White			
94200		Shower Hose	Black			
94203		Shower Faucet	Polar White			
94204		Shower Faucet	Black			
94188		Shower Door	Polar White			
94189		Shower Door	Black			
94201		Shower Head Bracket	Polar White			
94202		Shower Head Bracket	Black			

- Made in the USA
- 391 keyed lock is "key alike ready" and can be matched to your entry or compartment doors
- Guaranteed not to yellow or fade, UV-stable/colorfast
- Hatch prevents water leakage, insects and debris, and shields it from the elements when not in use
- Large flange means it can replace other shower footprint
- Leak resistant shower head
- Shower head has a curved design for better storage
- Includes an installation kit
- Impact & road salt-resistant
- Total Depth: 4-11/16"



COIL HOSE W/ QUICK DISCONNECT

Aftermarket #	O.E.M. #	Description	Color
94191		15' Coil Hose w/ Quick Disconnect	Blue

- Quick Disconnect
- Compact Design



VACUUM BREAKER / CHECK VALVE

Aftermarket #	O.E.M. #	Description	Color
94239	501-009-00002	Vacuum Breaker / Check Valve	Black

- ATMOSPHERIC VACUUM BREAKER / CHECK VALVE must be 6" above flood rim of the highest fixture connected to the wasteholding tank. (ASSE 1001-02; device shall not be installed where the venting of water from the device during normal functioning will cause damage.)



INLINE PLASTIC CHECK VALVE

Aftermarket #	O.E.M. #	Description	Color
94212	501-006-00006	Inline Plastic Check Valve	Black

- Innovative sealing concept
- Accepts all pex connections
- Install with a 20mm deep well socket
- Hex socket shape designed to slip before threads strip or break
- 22 in/lbs. maximum torque for installation
- CSA Approved
- Competitive pricing



THE FLUSHER - GLUED

Aftermarket #	O.E.M. #	Tank Style	Items Included
94231	301-009-00009	ABS	Water Inlet, Atmosphere Vacuum Breaker / Check Valve, Glued Tank Sprayer, Stainless Steel Screws, Warning Label, Installation Instructions

Replacement Parts for THE FLUSHER Also Available

Aftermarket #	O.E.M. #	Description	Color
94239	501-009-00002	Vacuum Breaker / Check Valve	Black
94232	501-009-00001	Glued Sprayer	Black
94233	301-005-00009	Water Inlet (plastic)	Polar White
94234	301-005-00010	Water Inlet (brass)	Polar White
722-009-00013	201-009-00013	Spinweld Sprayer	Natural

PLUMBING DIVERTERS



REPLACEMENT DIVERTER HANDLES

Aftermarket #	Description	Color
94235	Handle for Tank Flusher Diverter Valve	Black
94236	Handle for Fresh Water Fill Diverter Valve	Blue
94237	Handle for Hot Water Tank Diverter Valve	Red
94238	Handle for Winterizing Diverter Valve	White



FRESH WATER FILL DIVERTER VALVE

Aftermarket #	O.E.M. #	Description	Color
94227	301-008-00004	Fresh Water Fill Diverter Valve	Blue

- Factory tested for leakage
- Made in the USA
- Takes the place of a gravity water fill
- Diverts water flow between two waste tanks
- Identified by the "blue" operating handle



HOT WATER TANK DIVERTER VALVE

Aftermarket #	O.E.M. #	Description	Color
94228	301-008-00008	Hot Water Tank Diverter Valve	Red

- Factory tested for leakage
- Made in the USA
- Most commonly used for winterizing and storage
- Bypasses the flow of water from entering the hot water tank
- Identified by the "red" operating handle



TANK FLUSHER DIVERTER VALVE

Aftermarket #	O.E.M. #	Description	Color
94229	301-008-00015	Fresh Water Fill Diverter Valve	Black

- Factory tested for leakage
- Made in the USA
- Diverts water between two waste tanks
- Identified by the "black" operating handle



WINTERIZING DIVERTER VALVE

Aftermarket #	O.E.M. #	Description	Color
94230	301-008-00018	Winterizing Diverter Valve	White

- Factory tested for leakage
- Made in the USA
- For winterizing your unit
- Has two positions, normal and winterizing
- Identified by the "white" operating handle

Innovative Plumbing Solutions



- One central water hook-up location instead of many
- Clean, streamlined appearance
- Exterior seal resists leakage
- Fewer holes on unit for fewer leak points

PATENT PENDING



TITUS S1

Aftermarket #	O.E.M. #	Description	Color	Cutout Dim	Outside Dim
94349	301-043-00011	Titus S1	Black	3-1/2" x 5"	5-1/4 x 6.75"

- City Water Connection
- Tank Flush, Tank Fill or Winterize Connection
- 2-Coax



TITUS S1

Aftermarket #	O.E.M. #	Description	Color	Cutout Dim	Outside Dim
94398	301-043-00028	Titus S1	Black/White	3-1/2 x 5"	5-1/4" x 6-3/4"

- City Water Connection
- Tank Flush, Tank Fill or Winterize Connection
- White & Black Coupler
- 2-Coax



TITUS S1

Aftermarket #	O.E.M. #	Description	Color	Cutout Dim	Outside Dim
94399	301-043-00020	Titus S1	Black	3-1/2" x 5"	5-1/4" x 6-3/4"

- City Water Connection
- Tank Fill Connect. w/ Check Valve
- 2-Coax





TITUS T1

Aftermarket #	O.E.M. #	Description	Color	Cutout Dim	Outside Dim
94400	301-043-00015	Titus T1	Black	5" x 6-3/4"	6-3/4" x 8-1/2"

- City Water Connection
- Tank Flush Connection
- Tank Flush, Tank Fill or Winterize Connection
- No Coax



TITUS T1

Aftermarket #	O.E.M. #	Description	Color	Cutout Dim	Outside Dim
94401	301-043-00007	Titus T1	Black	5" x 6-3/4"	6-3/4" x 8-1/2"

- City Water Connection
- Tank Flush Connect. w/ Check Valve
- Tank Flush, Tank Fill or Winterize Connection
- 1-Coax



TITUS T1

Aftermarket #	O.E.M. #	Description	Color	Cutout Dim	Outside Dim
94347	301-043-00004	Titus T1	Black	5" x 6-3/4"	6-3/4" x 8-1/2"

- City Water Connection
- Tank Flush Connection
- Tank Flush, Tank Fill or Winterize Connection
- 2-Coax



TITUS T1

Aftermarket #	O.E.M. #	Description	Color	Cutout Dim	Outside Dim
94402	301-043-00024	Titus T1	Black	5" x 6-3/4"	6-3/4" x 8-1/2"

- City Water Connection
- Tank Flush Connection
- Tank Flush, Tank Fill or Winterize Connection
- 4-Coax

Innovative Plumbing Solutions



TITUS T3

Aftermarket #	O.E.M. #	Description	Color	Cutout Dim	Outside Dim
94348	301-043-00016	Titus T3	Black	5" x 6-3/4"	6-3/4" x 8-1/2"

- City Water Connection
- Gravity Tank Fill Connection
- Gravity Fill Vent or Fresh Water Tank Vent
- Tank Flush or Winterize Connection
- 2-Coax



TITUS T3

Aftermarket #	O.E.M. #	Description	Color	Cutout Dim	Outside Dim
94403	301-043-00019	Titus T3	Black	5" x 6-3/4"	6-3/4" x 8-1/2"

- City Water Connection
- Gravity Tank Fill Connection
- Tank Flush or Winterize Connection
- 1-Coax
- No Vent



PLUMBING DOCKING STATIONS



DOCKING STATION W/ PEX CONNECTION

Aftermarket #	O.E.M. #	Description	Color	Cutout Dim	Outside Dim
94404	301-010-00012	Docking Station	Black	6" x 11"	7-3/4" x 13"

REPLACEMENT PARTS

94411		Dock Station Door, Prop & Metal Washer	Black		
94412		Diverter Valve, Pex Connection	Black		

- Quick Disconnect Shower
- City Water/Tank Fill Connection
- Tank Flush Connection
- Tank Vent
- 2-Coax
- Pex Connections on Diverter Valve
- Aftermarket Part has Keyed Alike Ready Lock



DOCKING STATION

Aftermarket #	O.E.M. #	Description	Color	Cutout Dim	Outside Dim
94447	301-010-00025	Docking Station	Black	6" x 11"	7-3/4" x 13"

REPLACEMENT PARTS

94411		Dock Station Door, Prop & Metal Washer	Black		
94413		Diverter Valve, 1/2" MPT	Black		

- Quick Disconnect Shower
- City Water/Tank Fill Connection
- Tank Flush Connection
- 2-Coax
- Tank Vent
- 1/2" MPT Connections on Diverter Valves
- Aftermarket Part has Keyed Alike Ready Lock



DOCKING STATION

Aftermarket #	O.E.M. #	Description	Color	Cutout Dim	Outside Dim
94405	301-010-00047	Docking Station	Black	6" x 11"	7-3/4" x 13"

REPLACEMENT PARTS

94411		Dock Station Door, Prop & Metal Washer	Black		
94413		Diverter Valve, 1/2" MPT	Black		

- Quick Disconnect Shower
- City Water/Tank Fill Connection
- Tank Flush Connection
- 2-Coax
- No Tank Vent
- 1/2" MPT Connections on Diverter Valves
- Aftermarket Part has Keyed Alike Ready Lock



DOCKING STATION

Aftermarket #	O.E.M. #	Description	Color	Cutout Dim	Outside Dim
94406	301-010-00045	Docking Station	Black	6" x 11"	7-3/4" x 13"

REPLACEMENT PARTS

94411		Dock Station Door, Prop & Metal Washer	Black		
94413		Diverter Valve, 1/2" MPT	Black		

- Quick Disconnect Shower
- City Water/Tank Fill Connection
- Tank Flush Connection
- 3-Coax
- No Tank Vent
- Light & Pump Switch
- 1/2" MPT Connections on Diverter Valves
- Aftermarket Part has Keyed Alike Ready Lock



DOCKING STATION

Aftermarket #	O.E.M. #	Description	Color	Cutout Dim	Outside Dim
94408	301-010-00082	Docking Station	Black	6" x 11"	7-3/4" x 13"

REPLACEMENT PARTS

94566		Door	Black		
94413		Diverter Valve, 1/2" MPT	Black		

- Quick Disconnect Shower
- City Water/Tank Fill Connection
- Tank Vent
- 2-Coax
- Vertical Printed
- 1/2" MPT Connections on Diverter Valves
- Aftermarket Part has Keyed Alike Ready Lock



DOCKING STATION

Aftermarket #	O.E.M. #	Description	Color	Cutout Dim	Outside Dim
94407	301-010-00054	Docking Station, City/Tank Fill, Tank Flush, Vent, 1/2" MPT	Black	6" x 11"	7-3/4" x 13"

REPLACEMENT PARTS

94567		Dock Station Door, Prop & Metal Washer	Black		
94413		Diverter Valve, 1/2" MPT	Black		

- City Water/Tank Fill Connection
- Winterize/Sanitize Connection
- Light & Pump Switch
- 1/2" MPT Connections on Diverter Valves
- Aftermarket Part has Keyed Alike Ready Lock



PLUMBING DOCKING STATIONS



DOCKING STATION

Aftermarket #	O.E.M. #	Description	Color	Cutout Dim	Outside Dim
94448	301-010-00077	Docking Station, Quick Disc Shower, City/Tank Fill, Tank Flush, 1-Coax, No Vent, 1/2" MPT, Metal Thumb Lock	Black	6" x 11"	7-3/4" x 13"

REPLACEMENT PARTS

94568		Dock Station Door, Prop & Metal Washer	Black		
94413		Diverter Valve, 1/2" MPT	Black		

- City Water/Tank Fill Connection
- Tank Flush Connection
- Light & Pump Switch
- 1/2" MPT Connections on Diverter Valves
- Aftermarket Part has Keyed Alike Ready Lock



MINI DOCKING STATION

Aftermarket #	O.E.M. #	Description	Color	Cutout Dim	Outside Dim
94409	301-034-00005	Mini Docking Station	Black	4-3/4" x 5-3/4"	6-1/2" x 7-5/8"

REPLACEMENT PARTS

94569		Door	Black		
94413		Diverter Valve, 1/2" MPT	Black		

- City Water/Tank Fill Connection
- Winterize/Sanitize Connection
- Light & Pump Switch
- 1/2" MPT Connections on Diverter Valves
- Aftermarket Part has Keyed Alike Ready Lock



MINI DOCKING STATION

Aftermarket #	O.E.M. #	Description	Color	Cutout Dim	Outside Dim
94410	301-034-00013	Mini Docking Station	Black	4-3/4" x 5-3/4"	6-1/2" x 7-5/8"

REPLACEMENT PARTS

94570		Door	Black		
94413		Diverter Valve, 1/2" MPT	Black		

- City Water/Tank Fill/Winterize Connection
- Tank Flush Connection
- Light & Pump Switch
- 1/2" MPT Connections on Diverter Valves
- Aftermarket Part has Keyed Alike Ready Lock

PLUMBING

FROM THE INDUSTRY LEADER IN WATER CONNECTIONS

Clean, easy to connect panel systems for multi-function water management.



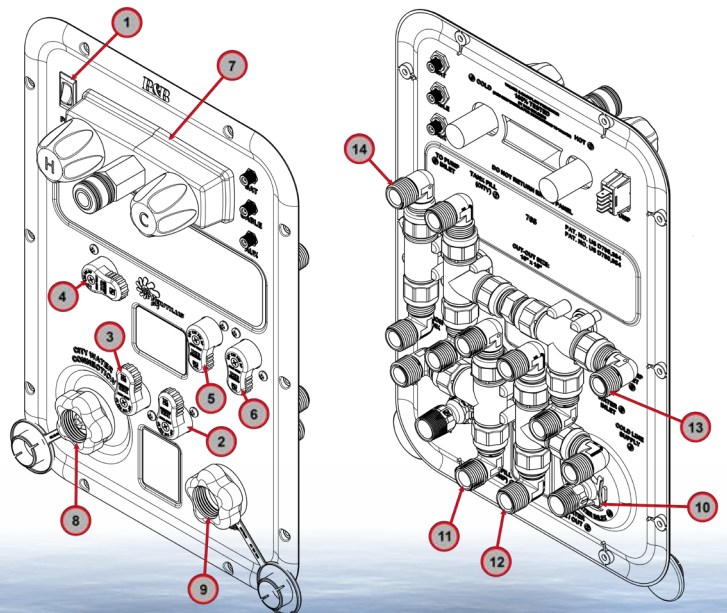
- ONE city water inlet - FIVE functions:
 - "Power fill" fresh water tank
 - Siphon fill/sanitize fresh water tank
 - Easily winterize water lines and fixtures
 - Dry camp from fresh water tank
 - Pressurized city water supply
- Built-in tank flushing system
- LED pump switch for one person winterizing
- Hot/cold faucet options:
 - Quick connect shower faucet
 - Standard faucet with hose and head
- Easy to follow, color-coded legend
- Multiple coax connections
- Meets listing requirements for the US and Canada
- Patent pending

Interchangeable Parts Included:

- (1) LED Red/White Rocker Switch
- (1) Momentary Switch
- (1) Blank Switch Hole Filler
- (3) Hex Coax Plugs



Size: 11-1/2" x 17"



NAUTILUS P1

Aftermarket #	O.E.M. #	Description	Color
94141	301-032-00002	Nautilus P1 H2O System	Polar White
94143	301-032-00005	Nautilus P1 H2O System	Black

REPLACEMENT PARTS

DESCRIPTION	AFTERMARKET #	
	WHITE	BLACK
1 Rocker Switch, Red/White	94380	94381
2 Green Handle (includes screws)	94148	94148
3 Red Handle (includes screws)	94368	94368
4 PW Handle (includes screws)	94369	94369
5 Blue Handle (includes screws)	94367	94367
6 Black Handle (includes screws)	94235	94235
7 Quick Disconnect Faucet	94140	94139

DESCRIPTION	AFTERMARKET #	
	WHITE	BLACK
8 City Water Connection	94210	94211
9 NOT REPLACEABLE		
10 Retainer Clip for City Water Connection	94385	94385
11 Diverter, Operated by Green Handle	94135	94135
12 Diverter, Operated By Red Handle	94135	94135
13 Diverter, Operated by Blue & White Handle	94137	94137
14 Diverter, Operated by Black Handle	94136	94136

PLUMBING WATER MANAGEMENT SYSTEMS



- Pressurized city water supply
- "Power fill" fresh water tank
- Siphon fill/sanitize fresh water tank
- Easily winterize water lines and fixtures
- Built-in tank flushing system
- LED pump switch for one person winterizing
- Easy to follow, color-coded legend
- Multiple coax connections
- Meets listing requirements for the US and Canada
- Patent pending

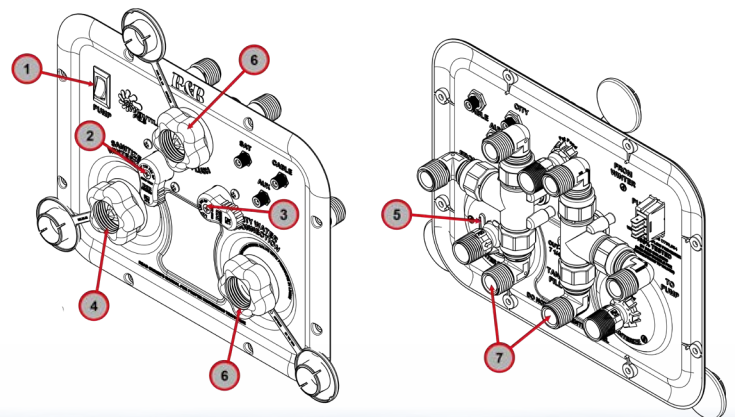
Interchangeable Parts Included:

- (1) LED Red/White Rocker Switch
- (1) Momentary Switch
- (1) Blank Switch Hole Filler
- (3) Hex Coax Plugs



Size: 11-1/2" x 9"

NAUTILUS P2.5			
Aftermarket #	O.E.M. #	Description	Color
94342	301-044-00001	Nautilus P2.5 H2O System	Polar White
94343	301-044-00002	Nautilus P2.5 H2O System	Black



REPLACEMENT PARTS

DESCRIPTION	AFTERMARKET #	
	WHITE	BLACK
1 Illuminated Rocker Switch, Red/White	94380	94381
2 Green Handle (includes screws)	94148	94148
3 Blue Handle (includes screws)	94367	94367
4 City Water Connection	94210	94211
5 Retainer Clip For City Water Connection	94385	94385
6 NOT REPLACEABLE		
7 Diverter, Operated by Green or Blue Handle	94135	94135

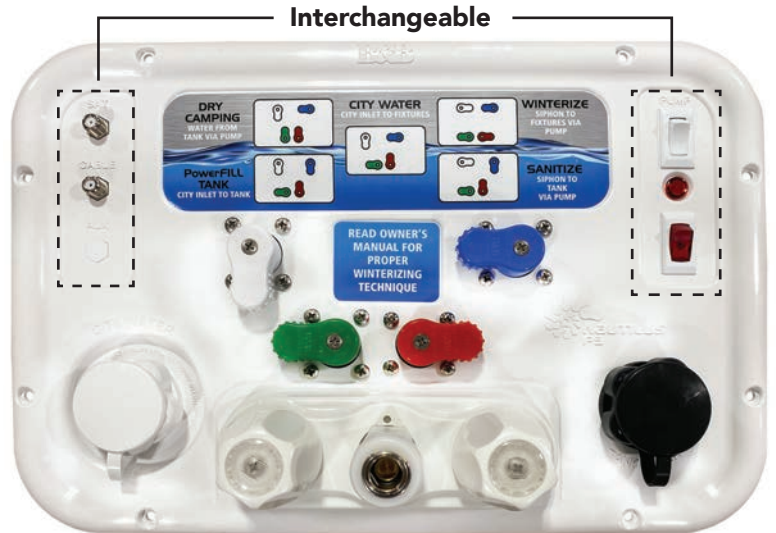
PLUMBING



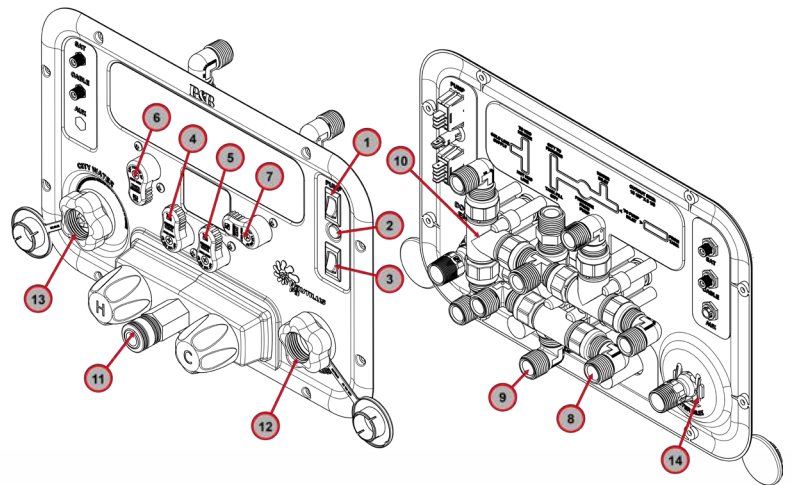
- ONE city water inlet - FIVE functions:
 - "Power fill" fresh water tank
 - Siphon fill/sanitize fresh water tank
 - Easily winterize water lines and fixtures
 - Dry camp from fresh water tank
 - Pressurized city water supply
- Built-in tank flushing system
- LED pump switch for one person winterizing
- Optional LED control switch for additional functions
- Hot/cold faucet options:
 - Quick connect shower faucet
 - Standard faucet with hose and head
- Easy to follow, color-coded legend
- Multiple coax connections area can be modified for other functions
- Meets listing requirements for the US and Canada
- Patent pending

Interchangeable Parts Included:

- (1) LED Red/White Rocker Switch
- (1) Momentary Switch
- (1) 3-Way Rocker Pump Switch
- (2) Blank Switch Hole Filler
- (3) Hex Coax Plugs



Size: 15" x 10"



NAUTILUS P3

Aftermarket #	O.E.M. #	Description	Color
94145	301-041-00001	Nautilus P3 H2O System	Polar White

REPLACEMENT PARTS - PW

DESCRIPTION	AFTERMARKET #	DESCRIPTION	AFTERMARKET #
1 Pump Indicator Light, Red	94382	9 Diverter, Operated by Red Handle	94389
2 Pump Switch, White	94383	Diverter, Operated By White & Blue Handle	94387
3 Rocker Switch, Red/White	94380	10 Handle Spacer, Used on Green/White/Blue Handles	94388
4 Green Handle (includes screws)	94148	Diverter Spacer, Used on 94390 & 94136 Diverter	94386
5 Red Handle (includes screws)	94368	11 Quick Disconnect Faucet	94140
6 PW Handle (includes screws)	94369	12 NOT REPLACEABLE	
7 Blue Handle (includes screws)	94367	13 City Water Connection	94210
8 Diverter, Operated by Green Handle	94136	14 Retainer Clip for City Water Connection	94385

PLUMBING WATER MANAGEMENT SYSTEMS



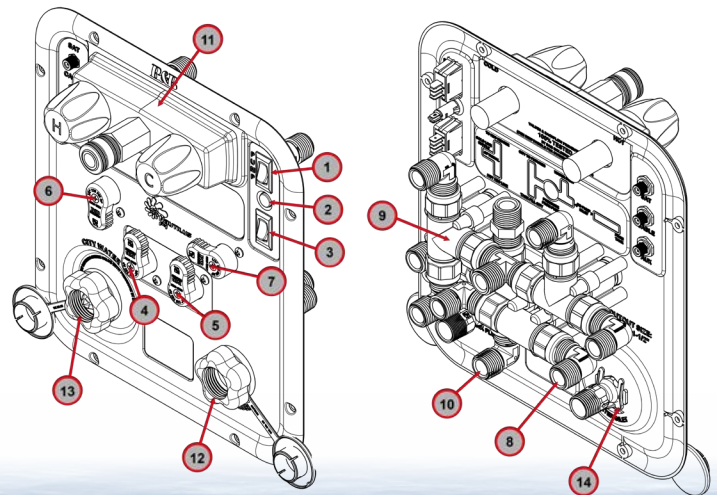
- ONE city water inlet - FIVE functions:
 - "Power fill" fresh water tank
 - Siphon fill/sanitize fresh water tank
 - Easily winterize water lines and fixtures
 - Dry camp from fresh water tank
 - Pressurized city water supply
- Built-in tank flushing system
- LED pump switch for one person winterizing
- Optional LED control switch for additional functions
- Hot/cold faucet options:
 - Quick connect shower faucet
 - Standard faucet with hose and head
- Easy to follow, color-coded legend
- Multiple coax connections area can be modified for other functions
- Meets listing requirements for the US and Canada
- Patent pending

Interchangeable Parts Included:

- (1) LED Red/White Rocker Switch
- (1) Momentary Switch
- (1) 3-Way Rocker Pump Switch
- (2) Blank Switch Hole Filler
- (3) Hex Coax Plugs



Size: 11-1/2" x 12-1/2"



NAUTILUS P4			
Aftermarket #	O.E.M. #	Description	Color
94345	301-042-00001	Nautilus P4 H2O System	Polar White
94346	301-042-00019	Nautilus P4 H2O System	Black

REPLACEMENT PARTS

DESCRIPTION	AFTERMARKET #	
	WHITE	BLACK
1 Pump Switch	94383	94392
2 Pump Indicator Light, Red	94382	94382
3 Illum. Rocker Switch, Red/WH Red/BK	94380	94381
4 Green Handle (includes screws)	94148	94148
5 Red Handle (includes screws)	94368	94368
6 PW Handle (includes screws)	94369	94369
7 Blue Handle (includes screws)	94367	94367
Diverter Spacer, Used on 94390 & 94136 Diverter	94386	94386
Handle Spacer, Used on Green/WT/BL Handles	94388	94388

DESCRIPTION	AFTERMARKET #	
	WHITE	BLACK
8 Diverter, Operated by Green Handle	94136	94136
9 Diverter, Operated By White & Blue Handle	94387	94387
10 Diverter, Operated By Red Handle	94391	94391
11 Quick Disconnect Faucet	94140	94139
12 NOT REPLACEABLE		
13 City Water Connection	94211	94210
14 Retainer Clip For City Water Connection	94385	94385

PLUMBING



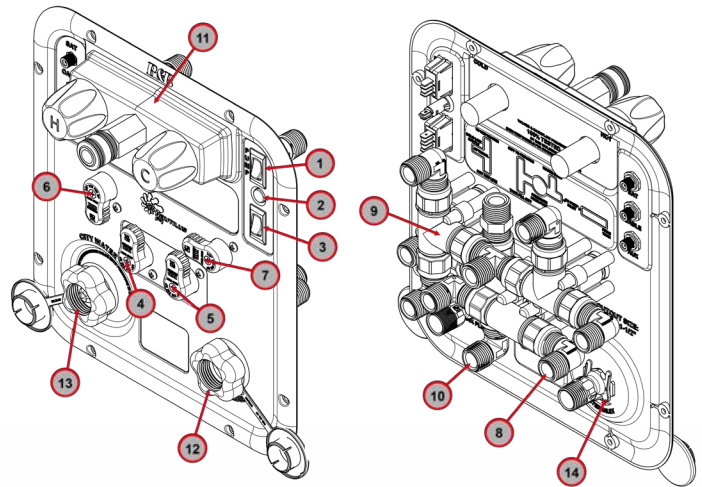
- ONE city water inlet - FIVE functions:
 - "Power fill" fresh water tank
 - Siphon fill/sanitize fresh water tank
 - Easily winterize water lines and fixtures
 - Dry camp from fresh water tank
 - Pressurized city water supply
- Built-in tank flushing system
- Pump switch with indicator light for one person winterizing
- Optional LED control switch for additional functions
- Hot/cold faucet options:
 - Quick connect shower faucet
 - Standard faucet with hose and head
- Easy to follow, color-coded legend
- Multiple coax connections area can be modified for other functions
- Meets listing requirements for the US and Canada
- Patent pending



Size: 11-1/2" x 12-1/2"

Interchangeable Parts Included:

- (1) LED Red/White Rocker Switch
- (1) Momentary Switch
- (1) 3-Way Rocker Pump Switch
- (2) Blank Switch Hole Filler
- (3) Hex Coax Plugs



NAUTILUS P4 (3 HANDLE)			
Aftermarket #	O.E.M. #	Description	Color
94344	301-042-00002	Nautilus P4 3 Handle H2O System	Polar White
94375	301-042-00038	Nautilus P4 3 Handle H2O System	Black

REPLACEMENT PARTS

DESCRIPTION	AFTERMARKET #	
	WHITE	BLACK
1 Pump Switch	94383	94392
2 Pump Indicator Light, Red	94382	94382
3 Illum. Rocker Switch, Red/WH Red/BK	94380	94381
4 Green Handle (includes screws)	94148	94148
5 Red Handle (includes screws)	94368	94368
6 PW Handle (includes screws)	94369	94369
7 Blue Handle (includes screws)	94367	94367
Diverter Spacer, Used on 94390 & 94136 Diverter	94386	94386
Handle Spacer, Used on Green/WT/BL Handles	94388	94388

DESCRIPTION	AFTERMARKET #	
	WHITE	BLACK
8 Diverter, Operated by Green Handle	94136	94136
9 Diverter, Operated By White & Blue Handle	94387	94387
10 Diverter, Operated By Red Handle	94391	94391
11 Quick Disconnect Faucet	94140	94139
12 NOT REPLACEABLE		
13 City Water Connection	94211	94210
14 Retainer Clip For City Water Connection	94385	94385

PLUMBING WATER MANAGEMENT SYSTEMS

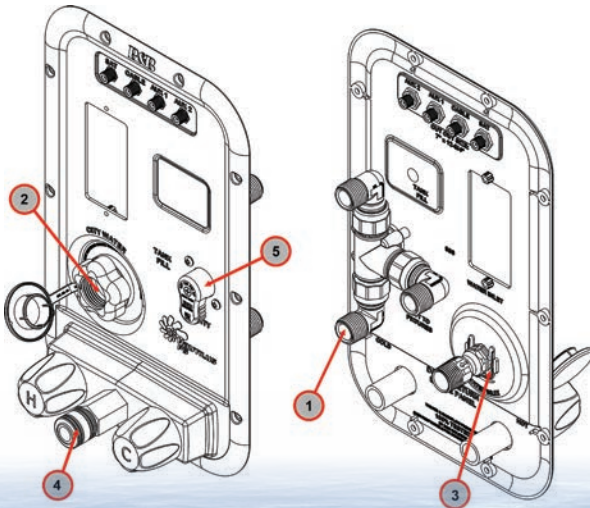


- ONE city water inlet - TWO functions:
 - "Power fill" fresh water tank
 - Pressurized city water supply
- Hot/cold faucet options: Quick connect shower faucet
- Multiple coax connections area can be modified for other functions
- Meets listing requirements for the US and Canada
- Patent pending

Extra Parts Included: (3) Hex Coax Plugs

NAUTILUS P5

Aftermarket #	O.E.M. #	Description	Color
94374	301-045-00001	Nautilus P5 H2O System	Polar White



Size: 8-1/2" x 14"

REPLACEMENT PARTS - PW

DESCRIPTION	AFTERMARKET #	DESCRIPTION	AFTERMARKET #
1 Diverter, Operated By Blue Handle	94135	4 Quick Disconnect Faucet, Black	94139
2 City Water Connection	94210	5 Blue Handle (includes screws)	94367
3 Retainer Clip for City Water Connection	94385		

PLUMBING



REPLACEMENT PANEL HANDLES

Aftermarket #	Description	Color
94146	Mini Diverter Handle	Black
94148	Mini Diverter Handle	Green
94367	Mini Diverter Handle	Blue
94368	Mini Diverter Handle	Red
94369	Mini Diverter Handle	White



QUICK DISCONNECT FAUCET

Aftermarket #	O.E.M. #	Description	Color
94139	105-005-00002	Quick Disconnect Faucet	Black
94140	105-005-00005	Quick Disconnect Faucet	White



NAUTILIUS PANEL FITTING

Aftermarket #	Description	Color
94138	90 Degrees 1/2 MPT x 1/2 MPT, Elbow Fitting	Black



NAUTILIUS PANEL FITTING

Aftermarket #	Description	Color
94390	T-Fitting, 1/2" MPT x 1/2" MPT x Threaded	Black



DIVERTER VALVE SPACER

Aftermarket #	Description	Color
94386	Diverter Valve Spacer	Black



DIVERTER HANDLE SPACER

Aftermarket #	Description	Color
94388	Diverter Handle Spacer	Black



PLUMBING REPLACEMENT NAUTILUS PARTS



REPLACEMENT DIVERTERS		
Aftermarket #	Description	Color
94135	3-Way Valve Ball	Black



Aftermarket #	Description	Color
94136	2-Way Valve Ball	Black



Aftermarket #	Description	Color
94137	Dual 3-Way Valve Diverter (P1)	Black



Aftermarket #	Description	Color
94387	Diverter, 5 Port, 12 Thread, Wt-Fitting (P3,P4)	Black



Aftermarket #	Description	Color
94389	Diverter, 1.5 Thread, 2-Male Fittings (P3)	Black



Aftermarket #	Description	Color
94391	Diverter, 2.5 Thread, 1-Male Fitting Right (P4)	Black



RETAINER CLIP		
Aftermarket #	Description	Color
94385	PVC Retainer Clip, Bk	Black



ROCKER SWITCH		
Aftermarket #	Description	Color
94380	Rocker Switch, 1A 12V	White/Red
94381	Rocker Switch, 1A 12V	Black/Red
94384	Rocker Switch, 20 A 12 V	White/Clear



3-WAY SWITCH		
Aftermarket #	Description	Color
94383	Pump Switch	White
94392	Pump Switch	Black



PUMP INDICATOR LIGHT		
Aftermarket #	Description	Color
94382	Pump Indicator Light	Red

PLUMBING FITTINGS



PLUMBING FITTINGS		
Aftermarket #	O.E.M. #	Description
94292	201-026-00006	1-1/2" Flush Slip Fitting
94293	201-026-00004	2" Flush Slip Fitting



PLUMBING FITTINGS		
Aftermarket #	O.E.M. #	Description
94294	201-026-00005	3" Flush Threaded Fitting



PLUMBING FITTINGS		
Aftermarket #	O.E.M. #	Description
94295	201-026-00007	3" Projected Slip Fitting



PLUMBING FITTINGS		
Aftermarket #	O.E.M. #	Description
94296	201-026-00008	3" Projected Male Spigot

PLUMBING GROMMETS



GROMMETS						
Aftermarket #	O.E.M. #	Description	Color	Cutout Dim	Outside Dim	Length
722-027-00005	201-027-00005	Pipe Grommet	Polar White	.615" ID	2.75" OD	
722-027-00004	201-027-00004	Pipe Grommet	Polar White	.8" ID	2.75" OD	
722-027-00006	201-027-00006	Pipe Grommet	Black	.8" ID	2.75" OD	
722-027-00013	201-027-00013	Pipe Grommet	Polar White	1" ID	2.75" OD	
722-027-00014	201-027-00014	Pipe Grommet	Black	1" ID	2.75" OD	
722-027-00010	201-027-00010	Pipe Grommet	Polar White	.625" ID	4" OD	
722-027-00007	201-027-00007	Pipe Grommet	Polar White	1.85" ID	4" OD	
722-027-00008	201-027-00008	Pipe Grommet	Black	1.85" ID	4" OD	
722-027-00016	201-027-00016	Pipe Grommet	Black	3.4" ID	6.7" OD	
722-027-00019	201-027-00019	Pipe Grommet	Black	4" ID	6.7" OD	
722-027-00020	201-027-00020	Pipe Grommet	Black	1.19" ID	2.2" OD	1.18" Long

We are camping enthusiasts, focused on developing high-quality products that meet all applicable codes and standards while engineering optimum functionality for fellow campers!





OUR PRODUCTS...

Built with high quality resins that adhere to the following criteria:

- Lifetime UV Resistance! No Yellowing!
- Impact Resistant
- Paintable
- Chemically Resistant to road salts and acids
- Dimensionally Stable

B&B Molders listens to and understands our customers, leading to innovations such as the Ez-Grip™, Hide-A-Hanger™, Ergonomic Hose couplers and many more trouble-free components. This customer focus has led to parts and service known throughout the industry and found in our catalog.

Consumers are encouraged to have dialogue with dealers concerning products seen in our catalog and/or ideas for new products to enhance the camping experience. Great products come from great ideas!





ROUND ELECTRIC CABLE HATCH

Aftermarket #	O.E.M. #	Description	Color	AMP	Cutout Dim	Outside Dim
94327		Round Electric Cable Hatch	Colonial White	30/50 Amp	3-1/2" dia.	4-5/8" dia.
94328	301-038-00015	Round Electric Cable Hatch	Polar White	30/50 Amp	3-1/2" dia.	4-5/8" dia.

- Made in the USA
- Guaranteed not to yellow or fade, UV-stable/colorfast
- Vermin door accepts both 30 and 50 amp cord
- Replaces any round hatch up to 4-1/2"
- Includes an installation kit
- Impact & road salt-resistant
- Collar Depth: 2-3/8"



DELUXE ROUND ELECTRIC CABLE HATCH

Aftermarket #	O.E.M. #	Description	Color	AMP	Cutout Dim	Outside Dim
94329	301-038-00008	Round Electric Cable Hatch	Polar White	30/50 Amp	3-1/2" dia.	5-1/8" dia.
94330	301-038-00009	Round Electric Cable Hatch	Black	30/50 Amp	3-1/2" dia.	5-1/8" dia.

- Made in the USA
- Guaranteed not to yellow or fade, UV-stable/colorfast
- Vermin door accepts both 30 and 50 amp cord
- Replaces any round hatch up to 4-1/2"
- Extra strength hinge for longer life
- Includes an installation kit
- Impact & road salt-resistant
- Collar Depth: 2-3/8"



DELUXE ROUND ELECTRIC CABLE HATCH W/O BACK

Aftermarket #	O.E.M. #	Description	Color	AMP	Cutout Dim	Outside Dim
94331	301-038-00011	Round Electric Cable Hatch w/o Back	Polar White	30/50 Amp	3-1/2" dia.	5-1/8" dia.
94332	301-038-00013	Round Electric Cable Hatch w/o Back	Black	30/50 Amp	3-1/2" dia.	5-1/8" dia.

- Made in the USA
- Guaranteed not to yellow or fade, UV-stable/colorfast
- Vermin door accepts both 30 and 50 amp cord
- Replaces any round hatch up to 4-1/2"
- Extra strength hinge for longer life
- Includes an installation kit
- Impact & road salt-resistant
- Collar Depth: 2-3/8"



DELUXE ROUND ELECTRIC CABLE HATCH - FLUSH MOUNT

Aftermarket #	O.E.M. #	Description	Color	AMP	Cutout Dim	Outside Dim
94366	301-038-00070	Round Electric Cable Hatch - Flush	Black	30/50 Amp	3-1/2" dia.	5-1/8" dia.

- Made in the USA
- Guaranteed not to fade, UV-stable/colorfast
- Vermin door accepts both 30 and 50 amp cord
- Replaces any round hatch up to 4-1/2"
- Extra strength hinge for longer life
- Includes an installation kit
- Impact & road salt-resistant



LARGE 30/50 AMP ELECTRIC CABLE HATCH

Aftermarket #	O.E.M. #	Description	Color	AMP	Lock Style	Cutout Dim	Outside Dim
94337	301-040-00135 (391 Key) 301-040-00005 (751 Key)	Large Electrical Hatch	Polar White	30/50 Amp	Key	6-7/8" x 6-3/8"	8-1/2" x 8"
94338	301-038-00068 (391 Key) 301-038-00002 (751 Key)	Large Electrical Hatch	Black	30/50 Amp	Key	6-7/8" x 6-3/8"	8-1/2" x 8"
94339	301-038-00005	Large Electrical Hatch	Polar White	30/50 Amp	Thumb	6-7/8" x 6-3/8"	8-1/2" x 8"

REPLACEMENT PARTS

94186		Door	Polar White
94187		Door	Black

- Made in the USA
- Guaranteed not to yellow or fade, UV-stable/colorfast
- 391 keyed lock is "key alike ready" and can be matched to your entry or compartment doors
- Vermin door accepts both 30 and 50 Amp cord
- Open Back
- Includes an installation kit
- Impact & road salt-resistant
- Collar Depth: 1-1/8"
- Paintable



SMALL 30/50 AMP ELECTRIC CABLE HATCH

Aftermarket #	O.E.M. #	Description	Color	AMP	Lock Style	Cutout Dim	Outside Dim
94333	301-040-00054	Small Electrical Hatch	Polar White	30/50 Amp	Thumb	4-3/4" x 4-1/4"	6-1/2" x 6"
94334	301-038-00065 (391 Key) 301-038-00038 (751 Key)	Small Electrical Hatch	Polar White	30/50 Amp	Key	4-3/4" x 4-1/4"	6-1/2" x 6"

REPLACEMENT PARTS

94178		Door	Polar White
-------	--	------	-------------

- Made in the USA
- Guaranteed not to yellow, UV-stable/colorfast
- 391 keyed lock is "key alike ready" and can be matched to your entry or compartment doors
- Vermin door accepts both 30 and 50 Amp cord
- Open Back
- Includes an installation kit
- Impact & road salt-resistant
- Collar Depth: 3/8"
- Paintable



ELECTRICAL



MEDIUM 30/50 AMP ELECTRIC CABLE HATCH

Aftermarket #	O.E.M. #	Description	Color	AMP	Lock Style	Cutout Dim	Outside Dim
94335	301-040-00154	Medium Electrical Hatch	Polar White	30/50 Amp	Thumb	4-3/4" x 5-7/8"	6-1/2" x 7-5/8"
94336	301-040-00154 (391 Key) 301-040-00030 (751 Key)	Medium Electrical Hatch	Black	30/50 Amp	Key	4-3/4" x 5-7/8"	6-1/2" x 7-5/8"

REPLACEMENT PARTS

94182		Door	Polar White
94183		Door	Black

- Made in the USA
- Guaranteed not to yellow or fade, UV-stable/colorfast
- 391 keyed lock is "key alike ready" and can be matched to your entry or compartment doors
- Vermin door accepts both 30 and 50 Amp cord
- Open Back
- Includes an installation kit
- Impact & road salt-resistant
- Collar Depth: 1-1/8"
- Paintable



MEDIUM 30/50 AMP ELECTRIC CABLE HATCH

Aftermarket #	O.E.M. #	Description	Color	AMP	Lock Style	Cutout Dim	Outside Dim
94395	301-038-00050	Medium Electric Hatch	Black	30/50 Amp	Thumb	4-1/2" x 5-1/2"	6-1/2" x 7-1/2"

- Made in the USA
- Guaranteed not to fade, UV-stable/colorfast
- Vermin door accepts both 30 and 50 Amp cord
- Flush mount / No back
- Includes an installation kit
- Impact & road salt-resistant
- No collar
- Paintable

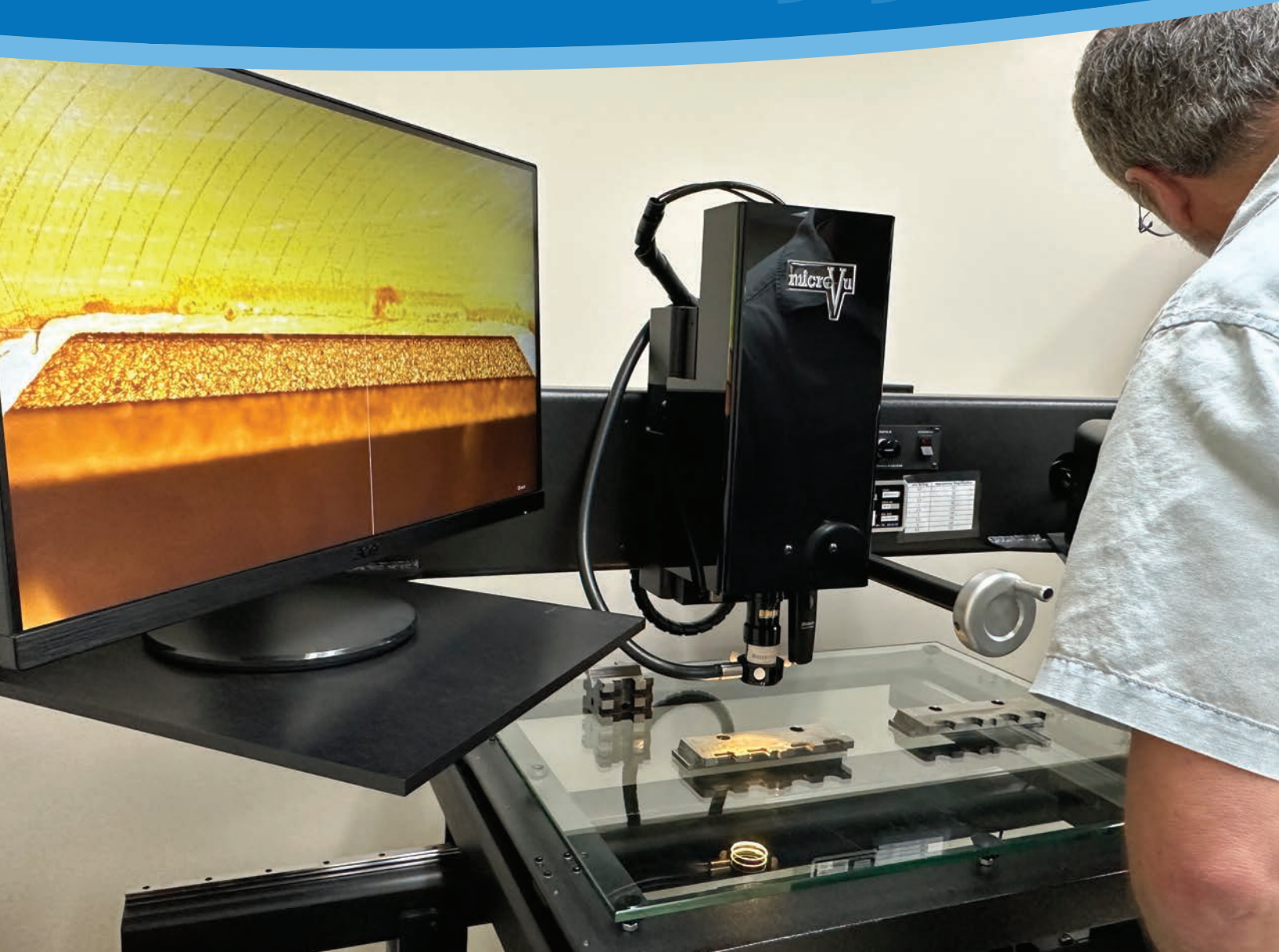


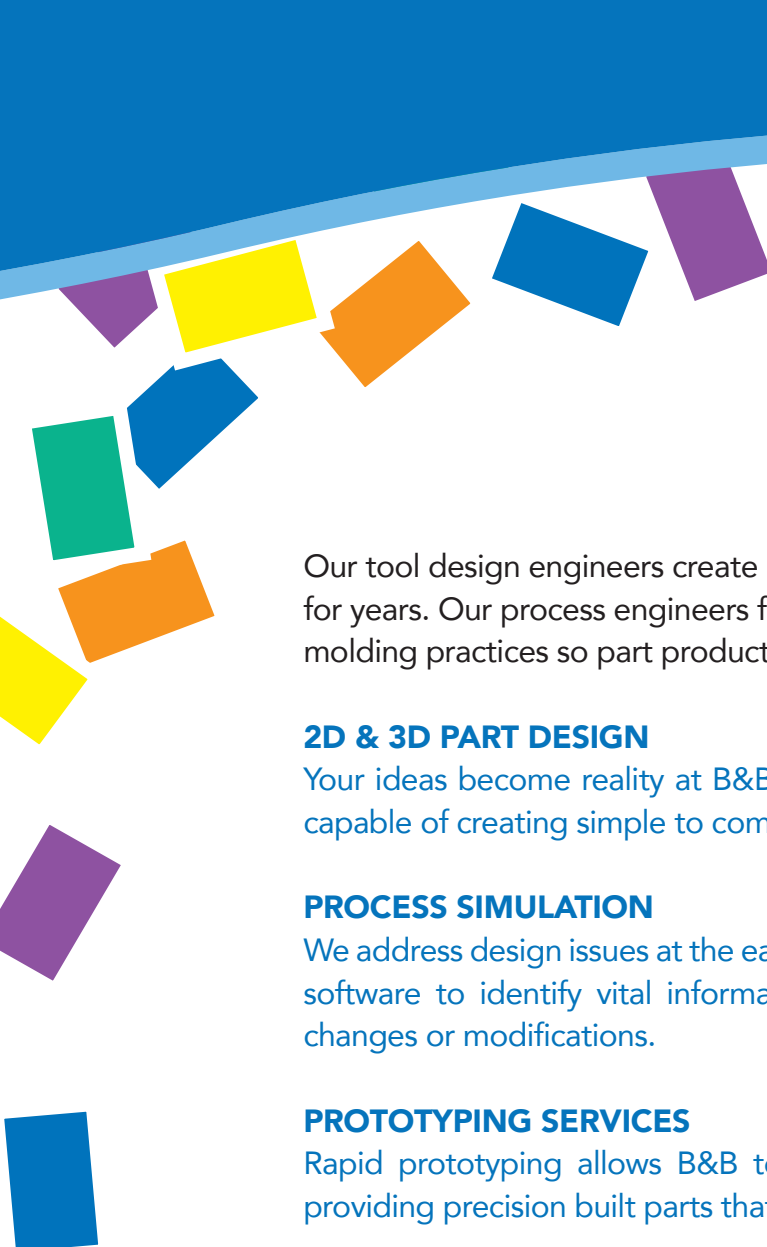
MISSION STATEMENT

Through Innovation, B&B Molders LLC provides the highest quality injection molded products to the markets it serves, while balancing the interest of all stakeholders.

OUR ENGINEERING DEPARTMENT...

might be considered the heart of B&B with its highly talented and experienced team. Whatever the challenge may be, we have the team to help ensure your part design can be molded in the most cost-effective way possible.





Our tool design engineers create high quality molds so your tool will run seamlessly for years. Our process engineers fine-tune the molding process utilizing scientific molding practices so part production runs at optimal efficiency.

2D & 3D PART DESIGN

Your ideas become reality at B&B Molders! Our team of highly trained engineers are capable of creating simple to complex designs and assemblies in 2D and 3D formats.

PROCESS SIMULATION

We address design issues at the earliest possible stage by utilizing Moldflow® simulation software to identify vital information that helps avoid costly part redesign, tooling changes or modifications.

PROTOTYPING SERVICES

Rapid prototyping allows B&B to accelerate the product development process by providing precision built parts that give the look and feel of a finished product.

ENGINEERING LAB

Our lab is furnished with a range of equipment to research and analyze the functionality, durability, and performance of various designs.



SEWER HATCHES



SEWER HATCHES

Aftermarket #	O.E.M. #	Description	Color	Lock Style	Cutout Dim	Outside Dim
94512	301-013-00003	Sewer Hatch w/o Back	Polar White	Thumb	4-3/4" x 6"	6-1/2" x 8"

- Direct O.E.M. Replacement
- Made in the USA
- Guaranteed not to yellow, UV-stable/colorfast
- Collar depth: 2"
- Impact & road salt-resistant
- Includes an installation kit



SEWER HATCHES

Aftermarket #	O.E.M. #	Description	Color	Lock Style	Cutout Dim	Outside Dim
94513	301-013-00038 (391 Key) 301-013-00006 (751 Key)	Sewer Hatch w/ Circle Back	Polar White	Key	4-3/4" x 5-7/8"	6-1/2" x 7-5/8"
94514	201-013-00001	Sewer Cap	Black			4-5/16" OD, 4-1/4" ID

- Direct O.E.M. Replacement
- Made in the USA
- Guaranteed not to yellow or fade, UV-stable/colorfast
- Collar depth: 2-1/2"
- Impact & road salt-resistant
- 391 keyed lock is "key alike ready" and can be matched to your entry or compartment doors
- Includes an installation kit
- #94514 Fits a standard 4" PVC pipe

SEWER HATCHES

Aftermarket #	O.E.M. #	Description	Color	Lock Style	Cutout Dim	Outside Dim
94302	301-013-00011	Sewer Hose Storage Hatch	Polar White	Thumb	4-3/4" x 5-7/8"	6-1/2" x 7-5/8"
94303	301-013-00014	Sewer Hose Storage Hatch	Black	Thumb	4-3/4" x 5-7/8"	6-1/2" x 7-5/8"

REPLACEMENT PARTS

94184		Door	Polar White
94185		Door	Black
94514	201-013-00001	Sewer Cap, 4-5/16" OD, 4-1/4" ID	Black

- Made in the USA
- Guaranteed not to yellow or fade, UV-stable/colorfast
- Back plate accepts a 4" rigid PVC or flexible hose (not included) to create a storage area
- Impact & road salt-resistant
- Includes an installation kit
- Collar depth: 2-1/2"
- Paintable



FUEL HATCHES



FUEL HATCHES					
Aftermarket #	O.E.M. #	Description	Color	Lock Style	Outside Dim
94510	301-039-00002	Fuel Hatch w/o Back	Polar White	Thumb	8-1/2" x 8"

- Direct O.E.M. Replacement
- Made in the USA
- Guaranteed not to yellow, UV-stable/colorfast
- Collar depth: 1"
- Impact & road salt-resistant
- Includes an installation kit



FUEL HATCHES					
Aftermarket #	O.E.M. #	Description	Color	Lock Style	Outside Dim
94511	301-039-00008	Fuel Hatch w/Flush Back	Black	Thumb	8-1/2" x 8"

- Direct O.E.M. Replacement
- Made in the USA
- Guaranteed not to fade, UV stable/colorfast
- Collar depth: 1"
- Impact & road salt-resistant
- Includes an installation kit

FUEL HATCHES					
Aftermarket #	O.E.M. #	Description	Color	Lock Style	Outside Dim
94304	301-039-00017 (391 Key) 301-039-00004 (751 Key)	Fuel Hatch w/Oval Back	Polar White	Key	8-1/2" x 8"

REPLACEMENT PARTS		
94340		Door

- Made in the USA
- 391 keyed lock is "key alike ready" and can be matched to your entry or compartment doors
- Guaranteed not to yellow, UV stable/colorfast
- Open Back
- Impact & road salt-resistant
- Includes an installation kit
- Collar depth: 1-1/8"
- Oval: 5" stretched to 6"
- Paintable



MULTI-PURPOSE HATCHES



MULTI-PURPOSE W/FLUSH MOUNT

Aftermarket #	O.E.M. #	Description	Color	Lock Style	Cutout Dim	Outside Dim
94557	301-040-00124 (391 Key) 301-040-00063 (751 Key)	Multi-Purpose Hatch	Polar White	Key	4-3/4" x 5-7/8"	6-1/2" x 7-5/8"

REPLACEMENT PARTS

94184		Door	Polar White
-------	--	------	-------------

- No Collar
- Made in the USA
- 391 keyed lock is "key alike ready" and can be matched to your entry or compartment doors
- Guaranteed not to yellow, UV stable
- Includes installation kit



MULTI-PURPOSE W/FLUSH MOUNT

Aftermarket #	O.E.M. #	Description	Color	Lock Style	Cutout Dim	Outside Dim
94305	301-039-00018 (391 Key) 301-039-00006 (751 Key)	Multi-Purpose Hatch	Polar White	Key	6-7/8" x 6-3/8"	8-1/2" x 8"
94308	301-040-00131 (391 Key) 301-040-00002 (751 Key)	Multi-Purpose Hatch	Black	Key	6-7/8" x 6-3/8"	8-1/2" x 8"

REPLACEMENT PARTS

94340		Door	Polar White
94341		Door	Black

- Made in the USA
- 391 keyed lock is "key alike ready" and can be matched to your entry or compartment doors
- Guaranteed not to yellow or fade, UV-stable/colorfast
- Replaceable Door
- No collar
- Impact & road salt-resistant
- Includes an installation kit
- Paintable



MULTI-PURPOSE W/FLUSH MOUNT

Aftermarket #	O.E.M. #	Description	Color	Lock Style	Cutout Dim	Outside Dim
94313	301-040-00057	Multi-Purpose Hatch	Polar White	Key	9-1/8" x 8"	11-3/8" x 10-3/8"

- Made in the USA
- 391 keyed lock is "key alike ready" and can be matched to your entry or compartment doors
- Guaranteed not to yellow, UV-stable/colorfast
- No collar
- Impact & road salt-resistant
- Includes an installation kit
- Paintable

MULTI-PURPOSE HATCHES



MULTI-PURPOSE HATCH W/ OPEN BACK

Aftermarket #	O.E.M. #	Description	Color	Lock Style	Cutout Dim	Outside Dim
94556	301-040-00033	Multi-Purpose Hatch	Polar White	Thumb	4-3/4" x 5-7/8"	6-1/2" x 7-5/8"

REPLACEMENT PARTS

94184		Door	Polar White
-------	--	------	-------------

- Collar Depth: 1-1/2
- Made in the USA
- Guaranteed not to yellow, UV stable/colorfast
- Includes installation kit



MULTI-PURPOSE HATCH W/ OPEN BACK

Aftermarket #	O.E.M. #	Description	Color	Lock Style	Cutout Dim	Outside Dim
94306	301-040-00032	Multi-Purpose Hatch	Polar White	Key	4-3/4" x 5-7/8"	6-1/2" x 7-5/8"

REPLACEMENT PARTS

94184		Door	Polar White
-------	--	------	-------------

- Made in the USA
- Aftermarket part number is a 391 key and is "key alike ready" and can be matched to your entry or compartment doors
- Guaranteed not to yellow, UV-stable/colorfast
- Impact & road salt-resistant
- Includes an installation kit
- Collar Depth: 1-1/8"
- Paintable

MULTI-PURPOSE HATCHES



MULTI-PURPOSE HATCH W/ OPEN BACK

Aftermarket #	O.E.M. #	Description	Color	Lock Style	Cutout Dim	Outside Dim
94552	301-040-00130 (391 Key) 301-040-00001 (751 Key)	Multi-Purpose Hatch	Polar White	Key	6-3/4" x 6-5/16"	8-1/2" x 8"
94553	301-040-00126 (391 Key) 301-040-00006 (751 Key)	Multi-Purpose Hatch	Black	Key	6-3/4" x 6-5/16"	8-1/2" x 8"

REPLACEMENT PARTS

94340	Door		Polar White
94187	Door		Black

- Collar Depth: 1"
- Made in the USA
- 391 keyed lock is "key alike ready" and can be matched to your entry or compartment doors
- Guaranteed not to yellow or fade, UV stable/colorfast
- Includes installation kit



MULTI-PURPOSE HATCH W/ OPEN BACK

Aftermarket #	O.E.M. #	Description	Color	Lock Style	Cutout Dim	Outside Dim
94314	301-040-00121	Multi-Purpose Hatch	Polar White	Key	6" x 11-1/16"	7-3/4" x 12-5/8"
94315	301-040-00082	Multi-Purpose Hatch	Black	Thumb	6" x 11-1/16"	7-3/4" x 12-5/8"
94564	301-040-00081	Multi-Purpose Hatch	Polar White	Thumb	6" x 11-1/16"	7-3/4" x 12-5/8"

- Made In The USA
- Aftermarket part number is a 391 key and is "key alike ready" and can be matched to your entry or compartment doors
- Guaranteed not to yellow or fade; UV stable/colorfast
- Includes installation kit
- Impact & Road Salt Resistant
- Collar Depth: 1-1/8"
- Paintable

MULTI-PURPOSE HATCHES



MULTI-PURPOSE HATCH W/ OPEN BACK						
Aftermarket #	O.E.M. #	Description	Color	Lock Style	Cutout Dim	Outside Dim
94316	301-040-00147 (391 Key) 301-040-00085 (751 Key)	Multi-Purpose Hatch	Polar White	Key	6" x 11-1/16"	7-3/4" x 12-5/8"
94317	301-040-00119 (391 Key) 301-040-00090 (751 Key)	Multi-Purpose Hatch	Black	Key	6" x 11-1/16"	7-3/4" x 12-5/8"

- Made in the USA
- 391 keyed lock is "key alike ready" and can be matched to your entry or compartment doors
- Guaranteed not to yellow or fade, UV-stable/colorfast
- Dual vermin doors accept both 30 and 50 Amp cord
- Impact & road salt-resistant
- Includes an installation kit
- Collar Depth: 1-1/8"
- Paintable



MULTI-PURPOSE HATCH W/ SOLID BACK						
Aftermarket #	O.E.M. #	Description	Color	Lock Style	Cutout Dim	Outside Dim
94561	301-040-00155 (391 Key) 301-040-00049 (751 Key)	Multi-Purpose Hatch	Black	Key	4-3/4" x 5-7/8"	6-1/2" x 7-5/8"

REPLACEMENT PARTS

94185		Door	Black
-------	--	------	-------

- Collar Depth: 1-1/8"
- Made in the USA
- 391 keyed lock is "key alike ready" and can be matched to your entry or compartment doors
- Guaranteed not to fade, UV stable/colorfast
- Includes installation kit

MULTI-PURPOSE HATCHES



MULTI-PURPOSE HATCH W/ SOLID BACK

Aftermarket #	O.E.M. #	Description	Color	Lock Style	Cutout Dim	Outside Dim
94310	301-040-00116 (Blank Cylinder) 301-040-00038 (751 Key)	Multi-Purpose Hatch	Polar White	Key	4-3/4" x 5-7/8"	6-1/2" x 7-5/8"
94560	301-040-00141 (391 Key) 301-040-00039 (751 Key)	Multi-Purpose Hatch	Black	Key	4-3/4" x 5-7/8"	6-1/2" x 7-5/8"
94311	301-040-00042	Multi-Purpose Hatch	Black	Thumb	4-3/4" x 5-7/8"	6-1/2" x 7-7/8"

REPLACEMENT PARTS

94184		Door	Polar White
94185		Door	Black

- Guaranteed not to yellow or fade, UV stable/colorfast
- 391 keyed lock is "key alike ready" and can be matched to your entry or compartment doors
- Flat solid back
- Includes installation kit
- Impact & Road Salt Resistant
- Collar Depth: 2"
- Paintable



MULTI-PURPOSE HATCH W/ SLANT BACK

Aftermarket #	O.E.M. #	Description	Color	Lock Style	Cutout Dim	Outside Dim
94312	301-039-00019 (391 Key) 301-039-00009 (751 Key)	Multi-Purpose Hatch	Polar White	Key	7" x 6-3/8"	9-5/16" x 8-3/4"

- Collar Depth: 3-1/4"
- Made in the USA
- 391 keyed lock is "key alike ready" and can be matched to your entry or compartment doors
- Guaranteed not to yellow, UV stable/colorfast
- Includes installation kit (aftermarket number only)

MULTI-PURPOSE HATCHES



MULTI-PURPOSE HATCH W/ LEDGED BACK

Aftermarket #	O.E.M. #	Description	Color	Lock Style	Cutout Dim	Outside Dim
94565	301-040-00158	Multi-Purpose Hatch	Black	Key	4-3/4" x 5-7/8"	6-1/2" x 7-5/8"

REPLACEMENT PARTS

94185	Door		Black
-------	------	--	-------

- Made in the USA
- 391 keyed lock is "key alike ready" and can be matched to your entry or compartment doors
- Guaranteed not to fade, UV stable/colorfast
- Includes installation kit
- Impact & Road Salt Resistant
- Collar Depth: 1-1/8"
- Paintable



MULTI-PURPOSE HATCH W/ LEDGED BACK

Aftermarket #	O.E.M. #	Description	Color	Lock Style	Cutout Dim	Outside Dim
94558	301-040-00110	Multi-Purpose Hatch	Black	Key	6-13/16" x 6-5/16"	8-1/2" x 8"

REPLACEMENT PARTS

94187	Door		Black
-------	------	--	-------

- Collar Depth: 3-11/16"
- Made in the USA
- 391 keyed lock is "key alike ready" and can be matched to your entry or compartment doors
- Guaranteed not to fade, UV stable/colorfast
- Includes installation kit

MULTI-PURPOSE HATCHES



MULTI-PURPOSE HATCH W/ LEDGED BACK

Aftermarket #	O.E.M. #	Description	Color	Lock Style	Cutout Dim	Outside Dim
94554	301-040-00013	Multi-Purpose Hatch	Black	Key	6-1/4" x 6-3/4"	8-1/2" x 8"

REPLACEMENT PARTS

94341		Door	Black
-------	--	------	-------

- Collar Depth: 1-1/8"
- Made in the USA
- 391 keyed lock is "key alike ready" and can be matched to your entry or compartment doors
- Guaranteed not to fade, UV stable/colorfast
- Includes installation kit



MULTI-PURPOSE HATCH W/ SWITCH BACK

Aftermarket #	O.E.M. #	Description	Color	Lock Style	Cutout Dim	Outside Dim
94559	301-040-00100	Multi-Purpose Hatch	Black	Key	6-3/4" x 6-5/16"	8-1/2" x 8"

REPLACEMENT PARTS

94341		Door	Black
-------	--	------	-------

- Collar Depth: 1-1/8"
- Made in the USA
- 391 keyed lock is "key alike ready" and can be matched to your entry or compartment doors
- Guaranteed not to fade, UV stable/colorfast
- Includes installation kit

MULTI-PURPOSE HATCHES



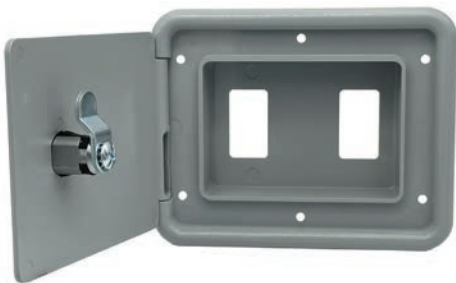
MULTI-PURPOSE HATCH W/ SWITCH BACK

Aftermarket #	O.E.M. #	Description	Color	Lock Style	Cutout Dim	Outside Dim
94563	301-040-00072	Multi-Purpose Hatch	Black	Thumb	4-1/8" x 5-1/2"	5" x 6-1/4"

REPLACEMENT PARTS

94177	Door		Black
-------	------	--	-------

- Collar Depth: 1"
- Made in the USA
- Guaranteed not to fade, UV stable/colorfast
- Includes installation kit
- Switch Cutout: 1-1/8" x 7/8"



MULTI-PURPOSE HATCH W/ SWITCH BACK

Aftermarket #	O.E.M. #	Description	Color	Lock Style	Cutout Dim	Outside Dim
94562	301-040-00105	Multi-Purpose Hatch	Gray	Key	4-1/8" x 5-1/2"	5" x 6-1/4"

- Collar Depth: 1"
- Made in the USA
- 391 keyed lock is "key alike ready" and can be matched to your entry or compartment doors
- Guaranteed not to fade, UV stable/colorfast
- Includes installation kit
- Switch Cutout: 1-1/2" x 7/8"



RESIN SELECTION STATION

RESIN WORKS DRYING HOPPERS - ROW 3

LOADING CONTROL

LINE NO	LINE NO	LINE NO	LINE NO
1-1	2-5	3-9	4-13
1-2	2-6	3-10	4-14
1-3	2-7	3-11	4-15
1-4	2-8	3-12	4-16
1-5	2-9	3-13	4-17
1-6	2-10	3-14	4-18
1-7	2-11	3-15	4-19
1-8	2-12	3-16	4-20
1-9	2-13	3-17	4-21
1-10	2-14	3-18	4-22
1-11	2-15	3-19	4-23
1-12	2-16	3-20	4-24
1-13	2-17	3-21	4-25
1-14	2-18	3-22	4-26
1-15	2-19	3-23	4-27
1-16	2-20	3-24	4-28
1-17	2-21	3-25	4-29
1-18	2-22	3-26	4-30
1-19	2-23	3-27	4-31
1-20	2-24	3-28	4-32
1-21	2-25	3-29	4-33
1-22	2-26	3-30	4-34
1-23	2-27	3-31	4-35
1-24	2-28	3-32	4-36
1-25	2-29	3-33	4-37
1-26	2-30	3-34	4-38
1-27	2-31	3-35	4-39
1-28	2-32	3-36	4-40
1-29	2-33	3-37	4-41
1-30	2-34	3-38	4-42
1-31	2-35	3-39	4-43
1-32	2-36	3-40	4-44
1-33	2-37	3-41	4-45
1-34	2-38	3-42	4-46
1-35	2-39	3-43	4-47
1-36	2-40	3-44	4-48
1-37	2-41	3-45	4-49
1-38	2-42	3-46	4-50
1-39	2-43	3-47	4-51
1-40	2-44	3-48	4-52
1-41	2-45	3-49	4-53
1-42	2-46	3-50	4-54
1-43	2-47	3-51	4-55
1-44	2-48	3-52	4-56
1-45	2-49	3-53	4-57
1-46	2-50	3-54	4-58
1-47	2-51	3-55	4-59
1-48	2-52	3-56	4-60
1-49	2-53	3-57	4-61
1-50	2-54	3-58	4-62

CORE VALUES

Be Fair | Tell The Truth | Keep Your Promise
Respect The Individual | Stimulate Intellectual Curiosity



HATCH CAM - 751 CODE

Aftermarket #	Description
94150	5/8" Cam w/ 751 Key
94151	1-1/8" Cam w/ 751 Key
94152	Replacement 751 Coded Key

- Fits in hatches



HATCH CAM - 391 CODE

Aftermarket #	Description
94153	5/8" Cam w/ 391 Key
94154	1-1/8" Cam w/ 391 Key
94155	Replacement 391 Coded Key

- Fits in hatches
- Key alike cylinder so you can key this cam to match your entry door or other compartment locks



PLASTIC THUMB LOCK

Aftermarket #	Description
94156	Polar White
94157	Black

- Made in the USA
- Guaranteed not to yellow or fade, UV stable/colorfast



Compact Enclosures

B&B's NEW, Compact Enclosures cleanly conceal and protect coax input jacks and electrical switches. They look so great and perform so well, you'll wonder why no one thought of it sooner.

- Stainless steel friction hinge pin-door stays open in any position
- Latch system keeps the door securely closed during travel
- Gutter system keeps water away
- Smooth contour shape – looks great inside and out
- Mounting screws are hidden when closed
- Made in the USA
- Space age proprietary resin – won't yellow or become brittle when exposed to the elements
- Paintable and easy to clean
- Guaranteed not to yellow or fade, UV-stable/colorfast



COMPACT ENCLOSURES

Aftermarket #	O.E.M. #	Description	Color	Outside Dim
94307	301-035-00005	Single Coax	Polar White	3-1/8" dia.
94326	301-035-00006	Single Coax	Black	3-1/8" dia.
94324	301-035-00001	Dual Coax	Polar White	3-1/8" dia.
94350	301-035-00002	Dual Coax	Black	3-1/8" dia.
94394	301-035-00014	Triple Coax	Black	3-1/8" dia.





CABLE TV PLATE

Aftermarket #	O.E.M. #	Description	Color	Cutout Dim	Outside Dim
94320	301-005-00041	Cable TV Plate	Polar White	1" dia.	3-1/8" dia.
94321	301-005-00042	Cable TV Plate	Black	1" dia.	3-1/8" dia.

- Made in the USA
- Guaranteed not to yellow or fade, UV-stable/colorfast
- 1 GHz - Coax transfer power
- Includes an installation kit
- Impact & road salt-resistant



DUST COVER FOR CABLE TV PLATE

Aftermarket #	O.E.M. #	Description	Color
94208	201-003-00009	Dust Cover	Polar White

- Made in the USA
- UV stable/colorfast



CABLE TV PLATE

Aftermarket #	O.E.M. #	Description	Color	Cutout Dim	Outside Dim
94323	301-005-00053	Coax/Coax Plate	Polar White	1-2" x 2-1/2"	3" x 4"
94393	301-005-00054	Coax/Coax Plate	Black	1-2" x 2-1/2"	3" x 4"

- Made in the USA
- Guaranteed not to yellow or fade, UV-stable/colorfast
- 1 GHz - Coax transfer power
- Includes an installation kit
- Impact & road salt-resistant



CABLE TV PLATE

Aftermarket #	O.E.M. #	Description	Color	Cutout Dim	Outside Dim
723-005-00021	301-005-00021	Coax Plate, Button Cover	Polar White	1" dia.	2-3/4" dia.
723-005-00019	301-005-00019	Coax Plate, Button Cover	Black	1" dia.	2-3/4" dia.

- Made in the USA
- Guaranteed not to yellow or fade, UV-stable/colorfast
- 1 GHz - Coax transfer power
- Includes an installation kit
- Impact & road salt-resistant



Endura Vent

Patented UV Stable Range Vent

Endura Vent, the solution the RV Industry has been wanting for years.

Innovative Endura Vent is manufactured specifically for RV use from B&B's rugged, proprietary, space-age plastic formula.

- UV stable/colorfast - will not yellow or become brittle when exposed to the elements
- Smooth, aerodynamic, contemporary design streamlines RV appearance.
Mounting screws are hidden when damper is closed
- Easy-to-install, three-piece design reduces installation time
- Easy to retrofit for a quick upgrade
- Components are wind tested to 190 mph
- Push-lock, one-piece damper closure with large, sturdy hinges

Endura Vent - clean, modern, functional styling for the long haul.



EDURA VENTS				
Aftermarket #	O.E.M. #	Description	Color	Collar Depth
94276	201-014-00010 (C) / 501-014-00001 (B)	Endura Vents	Flange, Polar White	5/8"
94277	201-014-00011 (C) / 501-014-00002 (B)	Endura Vents	Flange, Black	5/8"
94278	201-014-00010 (C) / 501-014-00004 (B)	Endura Vents	Flange, Polar White	1-1/2"
94279	201-014-00011 (C) / 501-014-00005 (B)	Endura Vents	Flange, Black	1-1/2"

"B" designates "Base" and "C" designates Cover.



VENTS

CEILING | FLOOR | AIR DUCT



CEILING VENT						
Aftermarket #	O.E.M. #	Description	Color	Cutout Dim	Outside Dim	Other Fit Info
94270	201-016-00002 (B) / 501-016-00002 (C)	CoolVent Adjustable Ceiling Vent	Polar White	4-3/4" dia.	6-1/4" dia.	Collar Depth 1/2"
94522	201-016-00030 (B) / 501-016-00003 (C)	CoolVent Adjustable Ceiling Vent	Oyster	4-3/4" dia.	6-1/4" dia.	Collar Depth 1/2"
94523	201-016-00042 (B) / 501-016-00004 (C)	CoolVent Adjustable Ceiling Vent	Greige	4-3/4" dia.	6-1/4" dia.	Collar Depth 1/2"
94271	201-016-00003 (B) / 501-016-00002 (C)	CoolVent Adjustable Ceiling Vent	Polar White	4-3/4" dia.	6-1/4" dia.	Collar Depth 1-1/2"
94524	201-016-00025 (B) / 501-016-00002 (C)	CoolVent Adjustable Ceiling Vent	Polar White	4-3/4" dia.	6-1/4" dia.	Collar Depth 2"

- Hides Screws for clean appearance
- Smooth contemporary design
- Unobstructed air flow
- Easy to install

"B" designates "Base" and "C" designates Cover.



CEILING VENT						
Aftermarket #	O.E.M. #	Description	Color	Cutout Dim	Outside Dim	Other Fit Info
94272	201-016-00002 (B) / 201-016-00021 (C)	CoolVent Snap-On Ceiling Vent	Polar White	4-3/4" dia.	6-1/4" dia.	Collar Depth 1/4"
94273	201-016-00003 (B) / 201-016-00021 (C)	CoolVent Snap-On Ceiling Vent	Polar White	4-3/4" dia.	6-1/4" dia.	Collar Depth 1/2"
94525	201-016-00025 (B) / 201-016-00021 (C)	CoolVent Snap-On Ceiling Vent	Polar White	4-3/4" dia.	6-1/4" dia.	Collar Depth 2"

- Hides Screws for clean appearance
- Smooth contemporary design
- Unobstructed air flow
- Easy to install

"B" designates "Base" and "C" designates Cover.

VENTS



CEILING VENT						
Aftermarket #	O.E.M. #	Description	Color	Cutout Dim	Outside Dim	Other Fit Info
94530	201-016-00037 (B) / 201-016-00038 (C)	Ceiling Grill w/Diffuser	Polar White	5-1/4" dia.	7" dia.	Collar Depth 2"
94531	201-016-00040 (B) / 201-016-00041 (C)	Ceiling Grill w/Diffuser	Black	5-1/4" dia.	7" dia.	Collar Depth 2"

- Fits Keystone, Dutchman & Crossroads units
- Hides Screws for clean appearance
- Easy to install

"B" designates "Base" and "C" designates Cover.



AIRDIRECT
by **RV AIRFLOW**
Air Distribution Systems

CEILING VENT						
Aftermarket #	O.E.M. #	Description	Color	Cutout Dim	Outside Dim	Other Fit Info
94532	301-016-00023	AirDirect Ceiling Grill	Polar White	5" dia.	7" dia.	Collar Depth 2-3/4"

- Improves how cold the air is delivered inside the RV
- Engineered diffuser catches and directs the flow of air
- Increases air flow by an average of 15% at each vent
- Helps eliminate inefficiencies that develop in RV HVAC systems



CEILING VENT						
Aftermarket #	O.E.M. #	Description	Color	Cutout Dim	Outside Dim	Other Fit Info
94274	301-016-00011	Ceiling Grill - No Damper	White	5-1/4" dia.	6-1/2" dia.	
94275	301-016-00012	Ceiling Grill - With Damper	White	5-1/4" dia.	6-1/2" dia.	

- Rotates 360 degrees for optimum airflow
- Includes an installation kit



THERMOVENTS

Aftermarket #	O.E.M. #	Description	Color	Inside Dim
94264	201-015-00013 (B) / 201-015-00008 (C)	No Damper	Polar White	4"
94265	201-015-00010 (B) / 201-015-00005 (C)	No Damper	Black	4"
94266	201-015-00014 (B) / 201-015-00009 (C)	No Damper	Tan	4"
94267	301-015-00010	With Damper	Polar White	4"
94268	301-015-00008	With Damper	Black	4"
94269	301-015-00011	With Damper	Tan	4"
94261	201-015-00018 (B) / 201-015-00008 (C)	No Damper	Polar White	2"
94262	201-015-00015 (B) / 201-015-00005 (C)	No Damper	Black	2"
94263	201-015-00019 (B) / 201-015-00009 (C)	No Damper	Tan	2"

- Hides screws for clean appearance
- Smooth contemporary design
- 360° rotation
- Fits 2" or 4" flex duct
- Optimum "free air"
- Competitive pricing

"B" designates "Base" and "C" designates Cover.

VENTS



FLOOR REGISTERS

Aftermarket #	O.E.M. #	Description	Color	Cutout Dim	Outside Dim
94526	301-017-00003	Floor Registers - With Damper	Black	2-3/8" x 10"	4-1/4" x 11-7/8"
94259	301-017-00001	Floor Registers - With Damper	Polar White	2-3/8" x 10"	4-1/4" x 11-7/8"
94260	301-017-00002	Floor Registers - With Damper	Tan	2-3/8" x 10"	4-1/4" x 11-7/8"
94257	201-017-00001	Floor Registers - No Damper	Black	2-3/8" x 10"	4-1/4" x 11-7/8"
94256	201-017-00002	Floor Registers - No Damper	Polar White	2-3/8" x 10"	4-1/4" x 11-7/8"
94258	201-017-00003	Floor Registers - No Damper	Tan	2-3/8" x 10"	4-1/4" x 11-7/8"
94417	201-017-00010	Floor Registers - No Damper	Gray	2-3/8" x 10"	4-1/4" x 11-7/8"

- Made in the USA
- Meets or exceeds H.U.D. and R.V.I.A. specifications
- Extra strong fire rated Polycarbonate plastic



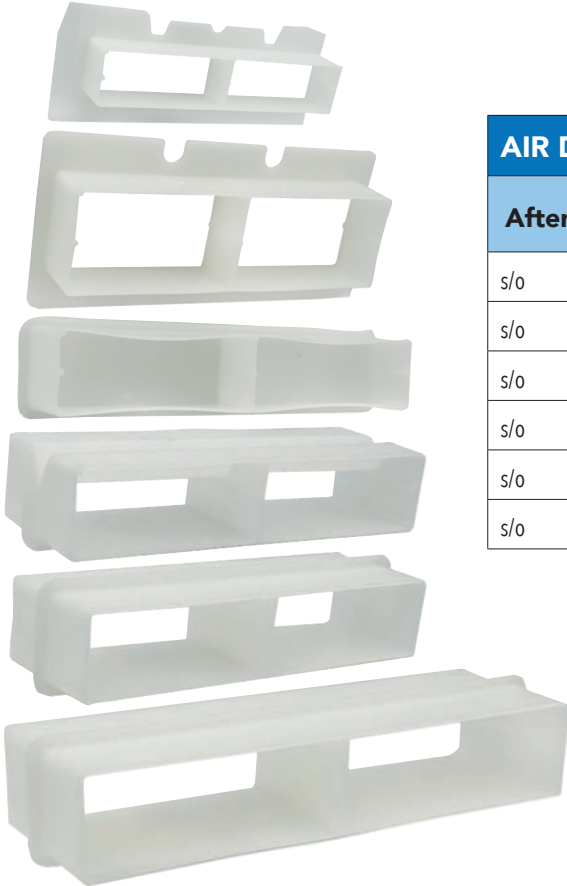
RETURN AIR VENT

Aftermarket #	O.E.M. #	Description	Color
94281	301-031-00004	Grill and Base	Polar White
94282	301-031-00005	Grill and Base	Black
94284	104-005-00029	Foam Filter	

- Over 40 sq. in. of free air
- Designed for heating and cooling systems
- Removable grill for easy filter change
- Mounting holes designed for quick adjustability
- Screws hidden for clean appearance
- Strong snap tabs secure grill during travel
- Contemporary design matches any decor
- Patent Pending

VENTS

CEILING | FLOOR | AIR DUCT



AIR DUCT PRODUCTS

Aftermarket #	O.E.M. #	Description	Color	Outside Dim
s/o	201-031-00022	Air Duct End Mount	Opaque	1-5/8" x 7-5/8"
s/o	201-031-00025	Air Duct Inlet	Opaque	3-3/4" x 8.160"
s/o	201-031-00024	Air Duct Plug	Opaque	2-1/2" x 8"
s/o	201-031-00026	Air Duct Union w/Air Roller	Opaque	2" x 8"
s/o	201-031-00021	Air Duct Union	Opaque	1-5/8" x 7-5/8"
s/o	201-031-00019	Air Duct Union	Opaque	1-1/4" x 8-1/2"

HORSESHOE

Aftermarket #	O.E.M. #	Description	Color	Outside Dim
94280	201-031-00008	Horseshoe, Vent Cover, Small	Polar White	3-7/8" x 3-3/8"
94527	201-031-00012	Horseshoe, Vent Cover, Large	Polar White	4-3/8" x 4"
94376	201-031-00043	Horseshoe, Vent Cover, Large	Black	4-3/8" x 4"



POWER VENTS

Aftermarket #	O.E.M. #	Description	Color
94528	301-031-00001	Power Vent	Polar White
94529	301-031-00002	Power Vent	Black



- Eliminates overfilling and siphoning of fresh water tanks
- Comes with clamp and installation kit

GUTTER SPOUTS



GUTTER SPOUTS			
Aftermarket #	O.E.M. #	Description	Color
94433	201-024-00011 (L) 201-024-00017 (R)	Long Rain Gutter Spouts	Beige
94435	201-024-00014 (L) 201-024-00020 (R)	Long Rain Gutter Spouts	Gray
94434	201-024-00048 (L) 201-024-00049 (R)	Long Rain Gutter Spouts	Fiji White
94436	201-024-00016 (L) 201-024-00034 (R)	Long Rain Gutter Spouts	Tan
94173	201-024-00015 (L) 201-024-00021 (R)	Long Rain Gutter Spouts	Polar White
94174	201-024-00012 (L) 201-024-00018 (R)	Long Rain Gutter Spouts	Black

- Keeps rain away from the sides of your unit for a cleaner look
- 4/Package - 2 Left & 2 Right
- Fits gutter rails 1-1/16" wide



GUTTER SPOUTS			
Aftermarket #	O.E.M. #	Description	Color
94172	201-024-00013 (L) 201-024-00019 (R)	Long Flexible Rain Gutter Spouts	Polar White

- Keeps rain away from the sides of your unit for a cleaner look
- 4/Package - 2 Left & 2 Right
- Fits gutter rails 1-1/16" wide
- Flexible



GUTTER SPOUTS			
Aftermarket #	O.E.M. #	Description	Color
94170	201-024-00027 (L) 201-024-00029 (R)	Medium Rain Gutter Spouts	Polar White
94171	201-024-00026 (L) 201-024-00028 (R)	Medium Rain Gutter Spouts	Black

- Keeps rain away from the sides of your unit for a cleaner look
- 4/Package - 2 Left & 2 Right
- Fits gutter rails 1-3/8" wide

GUTTER SPOUTS



GUTTER SPOUTS

Aftermarket #	O.E.M. #	Description	Color
94168	201-024-00006 (L) 201-024-00005 (R)	Short Rain Gutter Spouts	Polar White
94169	201-024-00010 (L) 201-024-00008 (R)	Short Rain Gutter Spouts	Black

- Keeps rain away from the sides of your unit for a cleaner look
- 4/Package - 2 Left & 2 Right
- Fits gutter rails 1-1/16" wide



GUTTER SPOUTS

Aftermarket #	O.E.M. #	Description	Color
94437	201-024-00022	Short Corner Rain Gutter Spout, w/o Top	Black
94438	201-024-00023	Short Corner Rain Gutter Spout, w/o Top	Polar White

- Keeps rain away from the sides of your unit for a cleaner look
- 1/Package
- Fits gutter rails 1-1/16" wide



GUTTER SPOUTS

Aftermarket #	O.E.M. #	Description	Color
94439	201-024-00050	Corner Rain Gutter Spout, Left	Black
94440	201-024-00051	Corner Rain Gutter Spout, Right	Black

- Keeps rain away from the sides of your unit for a cleaner look
- Fits gutter rails 1-3/8" wide

BUMPER PLUGS | GRAB HANDLES



BUMPER PLUGS W/ TABS				
Aftermarket #	O.E.M. #	Description	Color	Outside Dim
94160	201-028-00005	Bumper Plug w/Tabs	Black	4"
94161	201-028-00006	Bumper Plug w/Tabs	Black	4-1/4"

- Unsurpassed holding power
- Tabs hold bumper plugs in place
- Engineered tabs where it matters
- Removable/repeatable use



BUMPER PLUGS				
Aftermarket #	O.E.M. #	Description	Color	Outside Dim
94163	201-028-00001	Barbed Bumper Plug	Black	4"

- Unsurpassed holding power
- Clean, "One-piece" appearance
- Engineered tabs where it matters
- Removable/repeatable use
- Universal 4" fit



BUMPER PLUGS				
Aftermarket #	O.E.M. #	Description	Color	Outside Dim
94162	201-028-00007	Bumper Plug	Black	4"

- Easy on/off installation
- Clean, "One-piece" appearance
- Removable/repeatable use
- Universal 4" fit

Contemporary Grab Handle with Ergonomic Design

This new one piece grab handle design features molded-in screw covers that flip up and snap closed – eliminating the need for additional parts.

Features Include:

- Modern ergonomic design
- Screw covers molded-in
- 4 Screw holes per handle
- Extremely strong
- Competitive pricing



GRAB HANDLES			
Aftermarket #	O.E.M. #	Description	Color
94164	201-020-00001	Grab Handle	Polar White
94165	201-020-00002	Grab Handle	Black
94396		Grab Handle	Gray

Tow Plug Holders

Keep your RV Plug safe and secure with B&B Molders tow plug holders. Comes in two different configurations. Built by a company with a name you can trust for quality.

Features Include:

- UV Stabilized - Won't fade
- Unsurpassed holding power
- Clean "One Piece" appearance
- Universal Fit
- Attaches easily to your RV



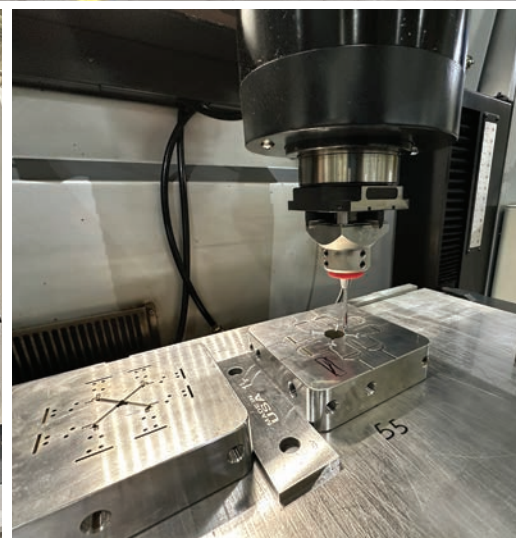
TOW PLUG HOLDER					
Aftermarket #	O.E.M. #	Description	Color	Hole-2-Hole	Outside Dim
94363	201-030-00018	Tow Plug Holder	Black	1-1/4"	2-1/2" x 2-5/8" x 2-1/4"



TOW PLUG HOLDER					
Aftermarket #	O.E.M. #	Description	Color	Hole-2-Hole	Outside Dim
94364	201-030-00015	Tow Plug & Chain Holder	Black	3-1/2"	2-1/5" x 5-5/8" x 2"

OUR MISSION...

Through Innovation, B&B Molders LLC provides the highest quality injection molded products to the markets it serves, while balancing the interest of all stakeholders.





IT'S IN EVERYTHING WE DO...

B&B Molders prides itself on supplying high quality products and unparalleled service in everything we do! Our ISO 9001 certification provides the foundation for our quality management system of which customers can trust their products and processes will be managed with excellence. From material lot traceability to our final inspection, we are committed to assuring compliance to stringent standards.



EXTRUSION COVERS



SLIDE-OUT COVERS: SQUARE

Aftermarket #	O.E.M. #	Description	Color	Outside Dim
94449	201-022-00060	Square Slide-Out Cover	Polar White	5-1/8" x 5-1/8"
94450	201-022-00067	Square Slide-Out Cover	White 1	5-1/8" x 5-1/8"
94451	201-022-00086	Square Slide-Out Cover	Fiji White	5-1/8" x 5-1/8"
94452	201-022-00092	Square Slide-Out Cover	Key Gray	5-1/8" x 5-1/8"
94453	201-022-00074	Square Slide-Out Cover	Alliance Gray	5-1/8" x 5-1/8"
94454	201-022-00058	Square Slide-Out Cover	Gray	5-1/8" x 5-1/8"
94455	201-022-00073	Square Slide-Out Cover	Gray White	5-1/8" x 5-1/8"
94456	201-022-00057	Square Slide-Out Cover	Black	5-1/8" x 5-1/8"
94466	201-022-00056	Square Slide-Out Cover	Beige	5-1/8" x 5-1/8"
94457	201-022-00062	Square Slide-Out Cover	Tan	5-1/8" x 5-1/8"

- Fits 4-3/4" & 4-7/8" wide aluminum extrusion



SLIDE-OUT COVERS: SQUARE

Aftermarket #	O.E.M. #	Description	Color	Outside Dim
94285	201-022-00008	Square Slide-Out Cover	Polar White	4-3/4" x 4-3/4"
94286	201-022-00010	Square Slide-Out Cover	Black	4-3/4" x 4-3/4"
94458	201-022-00009	Square Slide-Out Cover	Beige	4-3/4" x 4-3/4"
94459	201-022-00012	Square Slide-Out Cover	Polar White	4-3/4" x 4-3/4"

- Fits 4-1/2" wide aluminum extrusion
- #94459 Paintable



SLIDE-OUT COVERS: SQUARE

Aftermarket #	O.E.M. #	Description	Color	Outside Dim
94460	201-022-00099	Square Slide-Out Cover	Polar White	5-9/16" x 5-9/16"
94461	201-022-00098	Square Slide-Out Cover	Alliance Gray	5-9/16" x 5-9/16"
94462	201-022-00096	Square Slide-Out Cover	Black	5-9/16" x 5-9/16"

- Fits 5-1/4" wide aluminum extrusion

EXTRUSION COVERS

SLIDE-OUT



SLIDE-OUT COVERS: SQUARE

Aftermarket #	O.E.M. #	Description	Color	Outside Dim
94291	201-022-00038	Square Slide-Out Cover	Polar White	5" x 5"
94463	201-022-00039	Square Slide-Out Cover	Alliance Gray	5" x 5"
94464	201-022-00040	Square Slide-Out Cover	Black	5" x 5"

- Fits 4-3/4" wide aluminum extrusion



SLIDE-OUT COVERS: SQUARE

Aftermarket #	O.E.M. #	Description	Color	Outside Dim
94289	201-022-00021	Square Slide-Out Cover	Polar White	4-1/4" x 4-1/4"

- Fits 4" wide aluminum extrusion



SLIDE-OUT COVERS: SQUARE

Aftermarket #	O.E.M. #	Description	Color	Outside Dim
94468	201-022-00100	Square Slide-Out Cover	Polar White	7" x 7"
94469	201-022-00087	Square Slide-Out Cover	Black	7" x 7"

- Fits 4-1/2" wide aluminum extrusion

EXTRUSION COVERS



SLIDE-OUT COVERS: ANGLED

Aftermarket #	O.E.M. #	Description	Color	Outside Dim
94470	201-022-00089	Angled Bottom Slide-Out Cover, Short	Black	4-7/8" x 6-3/8" x 2-1/4"

- Fits 4-3/4" wide aluminum extrusion
- 40 Degree Angle



SLIDE-OUT COVERS: ANGLED

Aftermarket #	O.E.M. #	Description	Color	Outside Dim
94471	201-022-00095	Angled Bottom Slide-Out Cover	Black	5-1/2" x 6-1/2" x 2-1/4"

- Fits 5-1/4" wide aluminum extrusion
- 40 Degree Angle



SLIDE-OUT COVERS: ANGLED

Aftermarket #	O.E.M. #	Description	Color	Outside Dim
94472	201-023-00051	Angled Bottom Slide-Out Cover	Black	4-3/4" x 6-1/2"



SLIDE-OUT COVERS: ARROW

Aftermarket #	O.E.M. #	Description	Color	Outside Dim
94475	201-023-00051	Angled Bottom Slide-Out Cover w/o Tape	Black	1-7/8" x 4"
94482		Angled Bottom Slide-Out Cover w/Tape	Black	1-7/8" x 4"

- Fits 5-1/8" wide aluminum extrusion

EXTRUSION COVERS

SLIDE-OUT



SLIDE-OUT COVERS: ARROW

Aftermarket #	O.E.M. #	Description	Color	Outside Dim
94290	201-022-00026	Straight Arrow Slide-Out Cover	Polar White	2" x 7-1/4"
94474	201-022-00027	Straight Arrow Slide-Out Cover	Black	2" x 7-1/4"

• Fits 4-1/4" wide aluminum extrusion



SLIDE-OUT COVERS: ARROW

Aftermarket #	O.E.M. #	Description	Color	Outside Dim
94473	201-022-00029	Straight Arrow Slide-Out Cover	Black	2" x 7" x 13/32"

• Fits 4" wide aluminum extrusion



SLIDE-OUT COVERS: ARROW

Aftermarket #	O.E.M. #	Description	Color	Outside Dim
94475	201-022-00091	Straight Arrow Slide-Out Cover	Black	2" x 8-1/2" x 21/32"

• Fits 5-1/4" wide aluminum extrusion



SLIDE-OUT COVERS: CURVED

Aftermarket #	O.E.M. #	Description	Color	Outside Dim
94287	201-022-00018	Curved Arrow Slide-Out Cover	Polar White	2-7/8" x 6-1/4" x 21/32"

• Fits 3-3/4" aluminum extrusion

SLIDE-OUT COVERS: CURVED

Aftermarket #	O.E.M. #	Description	Color	Outside Dim
94288	201-022-00014	Curved Arrow Slide-Out Cover	Polar White	2-7/8" x 7" x 21/32"
94477	201-022-00015	Curved Arrow Slide-Out Cover	Black	2-7/8" x 7" x 21/32"

• Fits 4-1/2" wide aluminum extrusion



INSIDE TRIM

Aftermarket #	O.E.M. #	Description	Color	Outside Dim
94476	201-022-00101	Back side Corner Slide-Out Cover	Fiji White	4-3/4" x 6-1/2" x 2"

EXTRUSION COVERS

SLIDE-OUT



DRIP PANS

Aftermarket #	O.E.M. #	Description	Color
94480	201-025-00025	Slide-Out Corner Drip Pan, Left Hand	Black
94481	201-025-00026	Slide-Out Corner Drip Pan, Right Hand	Black



DRIP PANS

Aftermarket #	O.E.M. #	Description	Color
94483	201-025-00021	Slide-Out Floor Corner Drip Pan, Left Hand	Black
94484	201-025-00022	Slide-Out Floor Corner Drip Pan, Right Hand	Black

EXTRUSION COVERS

TRANSITION COVERS



TRANSITION COVERS

Aftermarket #	O.E.M. #	Description	Color	Outside Dim
94485	201-023-00077	Bottom Trim Cover, Left	Fiji White	1-5/32"- 1-1/2" x 3-11/16"
94486	201-023-00078	Bottom Trim Cover, Right	Fiji White	1-5/32"- 1-1/2" x 3-11/16"
94487	201-023-00085	Bottom Trim Cover, Left	Black	1-5/32"- 1-1/2" x 3-11/16"
94488	201-023-00086	Bottom Trim Cover, Right	Black	1-5/32"- 1-1/2" x 3-11/16"

TRANSITION COVERS

Aftermarket #	O.E.M. #	Description	Color	Outside Dim
94493	201-023-00083	Bottom Trim Cover, Left	Fiji White	1-21/64"- 1-1/2" x 12-1/2"
94494	201-023-00084	Bottom Trim Cover, Right	Fiji White	1-21/64"- 1-1/2" x 12-1/2"
94495	201-023-00081	Bottom Trim Cover, Left	Black	1-21/64"- 1-1/2" x 12-1/2"
94496	201-023-00082	Bottom Trim Cover, Right	Black	1-21/64"- 1-1/2" x 12-1/2"



TRANSITION COVERS

Aftermarket #	O.E.M. #	Description	Color	Outside Dim
94356	201-023-00067	Bottom Trim Cover	Black	1-1/2" x 3-13/16"



TRANSITION COVERS

Aftermarket #	O.E.M. #	Description	Color	Outside Dim
94489	201-023-00074	Corner Trim Cover, Left	Fiji White	1-3/16"- 1-1/2" x 5"
94490	201-023-00075	Corner Trim Cover, Right	Fiji White	1-3/16"- 1-1/2" x 5"
94491	201-023-00072	Corner Trim Cover, Left	Black	1-3/16"- 1-1/2" x 5"
94492	201-023-00073	Corner Trim Cover, Right	Black	1-3/16"- 1-1/2" x 5"



EXTRUSION COVERS



TRANSITION COVERS

Aftermarket #	O.E.M. #	Description	Color	Outside Dim
94497	201-023-00030	Corner Trim Cover	Black	1-1/2" x 3-11/16"



TRANSITION COVERS

Aftermarket #	O.E.M. #	Description	Color	Outside Dim
94498	201-023-00034	Corner Top Rear Trim Cover	Polar White	1-1/2" x 2-1/2"
94499	201-023-00029	Corner Top Rear Trim Cover	Black	1-1/2" x 2-1/2"



TRANSITION COVERS

Aftermarket #	O.E.M. #	Description	Color	Outside Dim
94351	201-023-00060	Corner Top Rear Trim Cover, Left	Black	1-1/2" x 2-5/16"
94352	201-023-00061	Corner Top Rear Trim Cover, Right	Black	1-1/2" x 2-5/16"



TRANSITION COVERS

Aftermarket #	O.E.M. #	Description	Color	Outside Dim
94500	201-023-00050	Corner Top Rear Trim Cover	Polar White	1-1/2" x 3-3/16"
94355	201-023-00046	Corner Top Rear Trim Cover	Black	1-1/2" x 3-3/16"

EXTRUSION COVERS

TRANSITION COVERS



TRANSITION COVERS

Aftermarket #	O.E.M. #	Description	Color	Outside Dim
94501	201-023-00097	Corner Top Rear Trim Cover	Black	1-1/2" x 4-9/64"



TRANSITION COVERS

Aftermarket #	O.E.M. #	Description	Color	Outside Dim
94502	201-023-00068	Corner Top Rear Trim Cover, Left	Fiji White	1-3/16"- 1-1/2" x 3-1/4"
94503	201-023-00069	Corner Top Rear Trim Cover, Right	Fiji White	1-3/16"- 1-1/2" x 3-1/4"
94353	201-023-00035	Corner Top Rear Trim Cover, Left	Black	1-3/16"- 1-1/2" x 3-1/4"
94354	201-023-00036	Corner Top Rear Trim Cover, Right	Black	1-3/16"- 1-1/2" x 3-1/4"



TRANSITION COVERS

Aftermarket #	O.E.M. #	Description	Color	Outside Dim
94504	201-023-00055	Front Corner, 5th Wheel Trim Cover, Left	Polar White	1" - 1-1/4" x 3-1/2"
94505	201-023-00054	Front Corner, 5th Wheel Trim Cover, Right	Polar White	1" - 1-1/4" x 3-1/2"
94506	201-023-00048	Front Corner, 5th Wheel Trim Cover, Left	Black	1" - 1-1/4" x 3-1/2"
94507	201-023-00047	Front Corner, 5th Wheel Trim Cover, Right	Black	1" - 1-1/4" x 3-1/2"



TRANSITION COVERS

Aftermarket #	O.E.M. #	Description	Color	Outside Dim
94478	201-022-00083	Outside Corner Trim	Polar White	2" x 1-1/2" x 1-1/8"
94479	201-022-00088	Outside Corner Trim	Black	2" x 1-1/2" x 1-1/8"

EXTRUSION COVERS



TRANSITION COVERS

Aftermarket #	O.E.M. #	Description	Color	Outside Dim
94357	201-023-00044	Front Top Trim Cover, Left	Black	2" x 1-1/2" x 5-1/2"
94358	201-023-00045	Front Top Trim Cover, Right	Black	2" x 1-1/2" x 5-1/2"



TRANSITION COVERS

Aftermarket #	O.E.M. #	Description	Color	Outside Dim
94359	201-023-00052	Front Top Trim Cover, Left	Black	1-1/2" x 2" x 10"
94360	201-023-00053	Front Top Trim Cover, Right	Black	1-1/2" x 2" x 10"



TRANSITION COVERS

Aftermarket #	O.E.M. #	Description	Color	Outside Dim
94508	201-023-00070	Inside Floor Trim Cover	Tan	1-1/2" x 1-3/4"



TRANSITION COVERS

Aftermarket #	O.E.M. #	Description	Color	Outside Dim
94509	201-023-00094	Inside Floor Trim Cover	Tan	2" x 5-3/16"

EXTRUSION COVERS

TRANSITION COVERS



TRANSITION COVERS				
Aftermarket #	O.E.M. #	Description	Color	Outside Dim
94537	201-023-00092	Belt Rail End Cap, Left	Black	1/2" x 1-55/64"
94538	201-023-00093	Belt Rail End Cap, Right	Black	1/2" x 1-55/64"



TRANSITION COVERS				
Aftermarket #	O.E.M. #	Description	Color	Outside Dim
94539	201-023-00039	Straight End Cap, Left	Charcoal	7/8" x -1/4"
94540	201-023-00038	Straight End Cap, Right	Charcoal	7/8" x -1/4"
94541	201-023-00091	Straight End Cap, Left	Black	7/8" x -1/4"
94542	201-023-00090	Straight End Cap, Right	Black	7/8" x -1/4"



TRANSITION COVERS				
Aftermarket #	O.E.M. #	Description	Color	Outside Dim
94543	201-023-00032	Step Trim End Cap, Left	Black	1-1/4" x 1-1/4"
94544	201-023-00033	Step Trim End Cap, Right	Black	1-1/4" x 1-1/4"

EXTRUSION COVERS

TRANSITION COVERS



TRANSITION COVERS

Aftermarket #	O.E.M. #	Description	Color	Outside Dim
94545	201-023-00040	End Cap	Charcoal	1-1/4" x 1-1/4"



TRANSITION COVERS

Aftermarket #	O.E.M. #	Description	Color	Outside Dim
94546	201-023-00022	End Cap, w/Return Step	Polar White	7/16" x 1-1/2"
94547	201-023-00021	End Cap, w/Return Step	Black	7/16" x 1-1/2"
94548	201-023-00062	End Cap, w/Return Step	Alliance Gray	7/16" x 1-1/2"



TRANSITION COVERS

Aftermarket #	O.E.M. #	Description	Color	Outside Dim
94549	201-023-00015	End Cap, w/Return Step	Polar White	1/2" x 1-1/2"
94550	201-023-00016	End Cap, w/Return Step	Tan	1/2" x 1-1/2"
94551	201-023-00049	End Cap, w/Return Step	Gray	1/2" x 1-1/2"



RAIL EXTRUSION END CAP

Aftermarket #	O.E.M. #	Description	Color	Outside Dim
94361	201-023-00065	Rail Extrusion End Cap, Left Hand	Black	1-1/4" x 1-1/4"
94362	201-023-00066	Rail Extrusion End Cap, Right Hand	Black	1-1/4" x 1-1/4"



SLIDING DOOR GUIDE

Aftermarket #	O.E.M. #	Description	Color
94159	201-019-00011	Sliding Door Guide	Tan/Oak
94158	201-019-00009	Sliding Door Guide	Black

- Made in the USA
- Not adjustable
- Fits doors up to 1-3/8" thick



HOLLOW CORE DOOR HANDLE

Aftermarket #	O.E.M. #	Description	Color	Cutout Dim	Outside Dim
94365	201-020-00029	Hollow Core Door Handle	Black	2.1" dia.	2.4" dia.

OUR COMMITMENT...

to scientific molding practices allows us to manufacture high quality parts at competitive prices to all markets, which includes medical, consumer, electronics, and defense industries.





THE MATERIAL...

High quality resins provide consistency and repeatability while achieving specific performance characteristics for desired applications. B&B Molders offers a variety of quality resin options to assist our customers reach the most cost-effective product solution. For those challenging applications, our outstanding supplier relationships allow for a customized engineered solution when needed. A listing of some of the resins we currently warehouse are:

- **Polypropylene**
- **Polyethylene**
- **ABS**
- **Polycarbonate**
- **Acrylic**
- **Nylons**
- **SAN**
- **Polystyrene**
- **Acetals**
- **Other Blends**



BANDBMOLDERS.COM

58471 Fir Road, Mishawaka, IN 46544
Phone: 574.259.7838 | Fax: 574.259.7939



Made in USA

ORIGINAL FACTORY PARTS